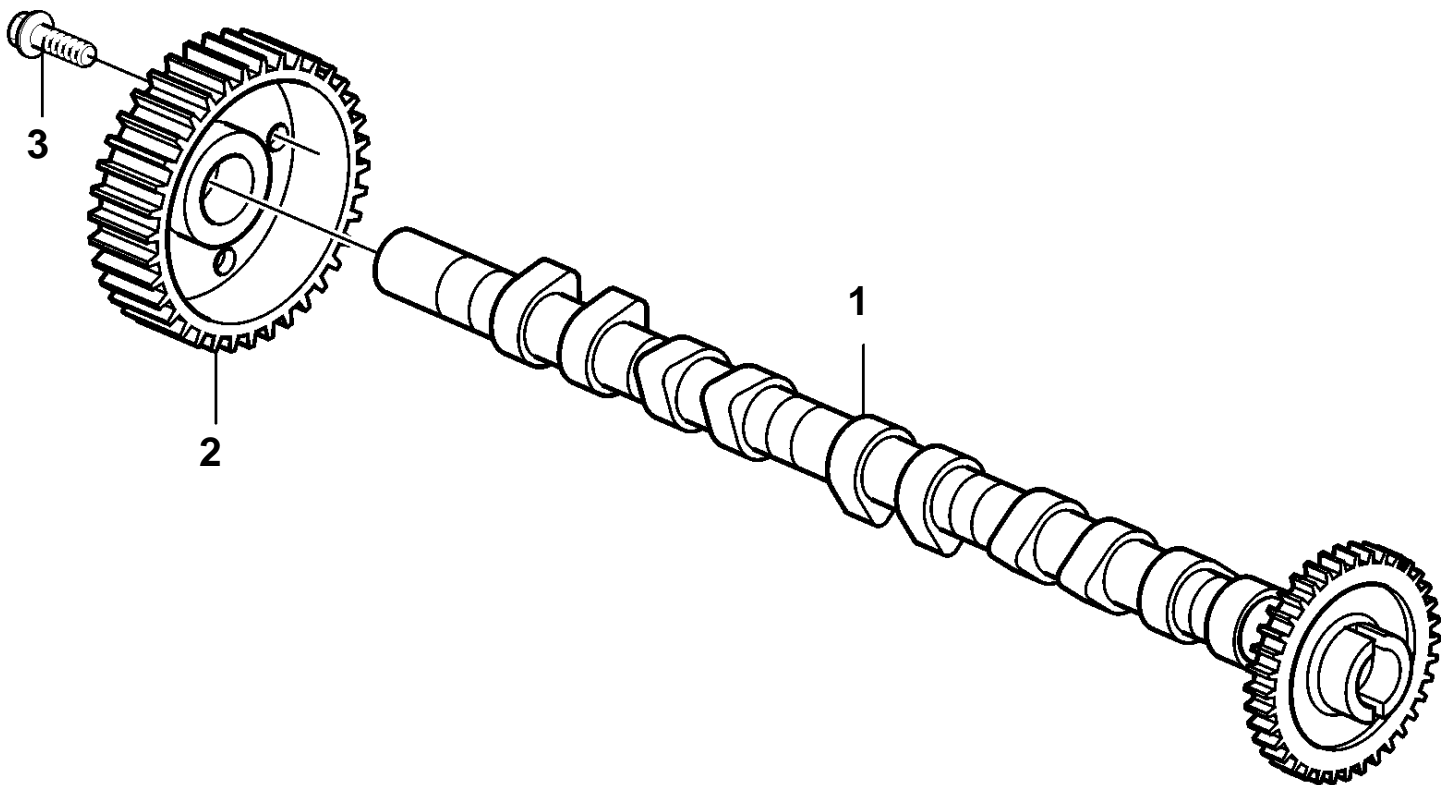


D3-110I-B, D3-110I-C, D3-130A-B, D3-130I-B, D3-130A-C, D3-130I-C, D3-160A-B, D3-160I-B, D3-160A-C, D3-160I-C, D3-190A-B, D3-190I-B, D3-190A-C, D3-190I-C



24848

D3-110I-B, D3-110I-C, D3-130A-B, D3-130I-B, D3-130A-C, D3-130I-C, D3-160A-B, D3-160I-B, D3-160A-C, D3-160I-C, D3-190A-B, D3-190I-B, D3-190A-C, D3-190I-C

REF	PART NO.	QTY	DESCRIPTION	SEE SEC.	NOTES
1	8699506	1	Camshaft, intake		Use connection block 8653606, Replaced by 30677509
	30677509	1	Camshaft, intake		Use connection block 8653606, Replaced by 30750758
	30750758	1	Camshaft, intake	9552	Use connection block 8653606
	30750759	1	Camshaft, exhaust		(30731132)
2	8631554	1	Gear pulley		Replaced by gear pulley 8642804 and 4 pcs screw 985373.
	8642804	1	Gear pulley		
3	968881	4	Flange screw		
	985373	4	Screw		For 8642804