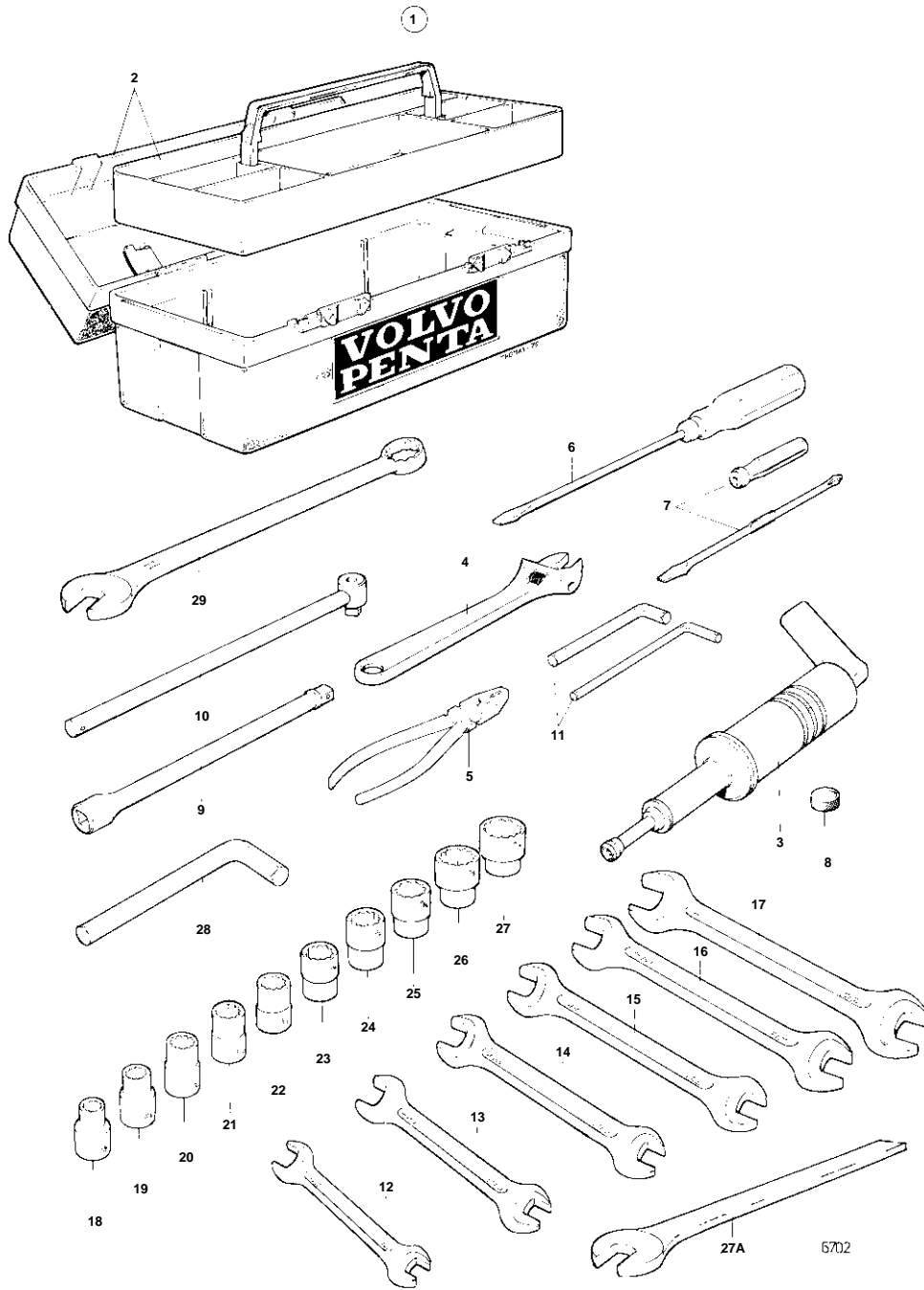


COMMON



**COMMON**

REF	PART NO.	QTY	DESCRIPTION	SEE SEC.	NOTES
1	844481	1	Tool kit		
2	842021	1	• Tool box		
3	750	1	• Grease gun		
4	755	1	• Adjustable wrench		8"
	962045	1	• Adjustable wrench		6"
5	962032	1	• Pliers		
6	804771	1	• Screwdriver		
7	963929	1	• Screwdriver		
8	811	12	• Protective cap		
9	880695	1	• Extension bar		
10	880694	1	• Handle		
11	946804	1	• Allen wrench		5/16"
	914675	1	• Allen wrench		1/4"
12	962066	1	• Key		3/8"-7/16"
13	210144	1	• Key		7/16"-1/2"
14	210145	1	• Key		9/16"-5/8"
15	962070	1	• Key		13/16"-7/8"
16	210146	1	• Key		3/4"-11/16"
17	210149	1	• Key		15/16"-1"
18	9820311	1	• Sleeve		3/8"
19	9820314	1	• Sleeve		7/16"
20	9820316	1	• Sleeve		1/2"
21	9820318	1	• Sleeve		9/16"
22	9820320	1	• Sleeve		5/8"
23	9820321	1	• Sleeve		11/16"
24	9820323	1	• Sleeve		3/4"
25	9820324	1	• Sleeve		13/16"
26	9820326	1	• Sleeve		7/8"
27	9820327	1	• Sleeve		15/16"
27A	962075	1	Open-end wrench		41MM
28	914678	1	Key		1/2"
29	884399	1	Box wrench		1 1/8"
30		1	CHEMICALS	090-2000	