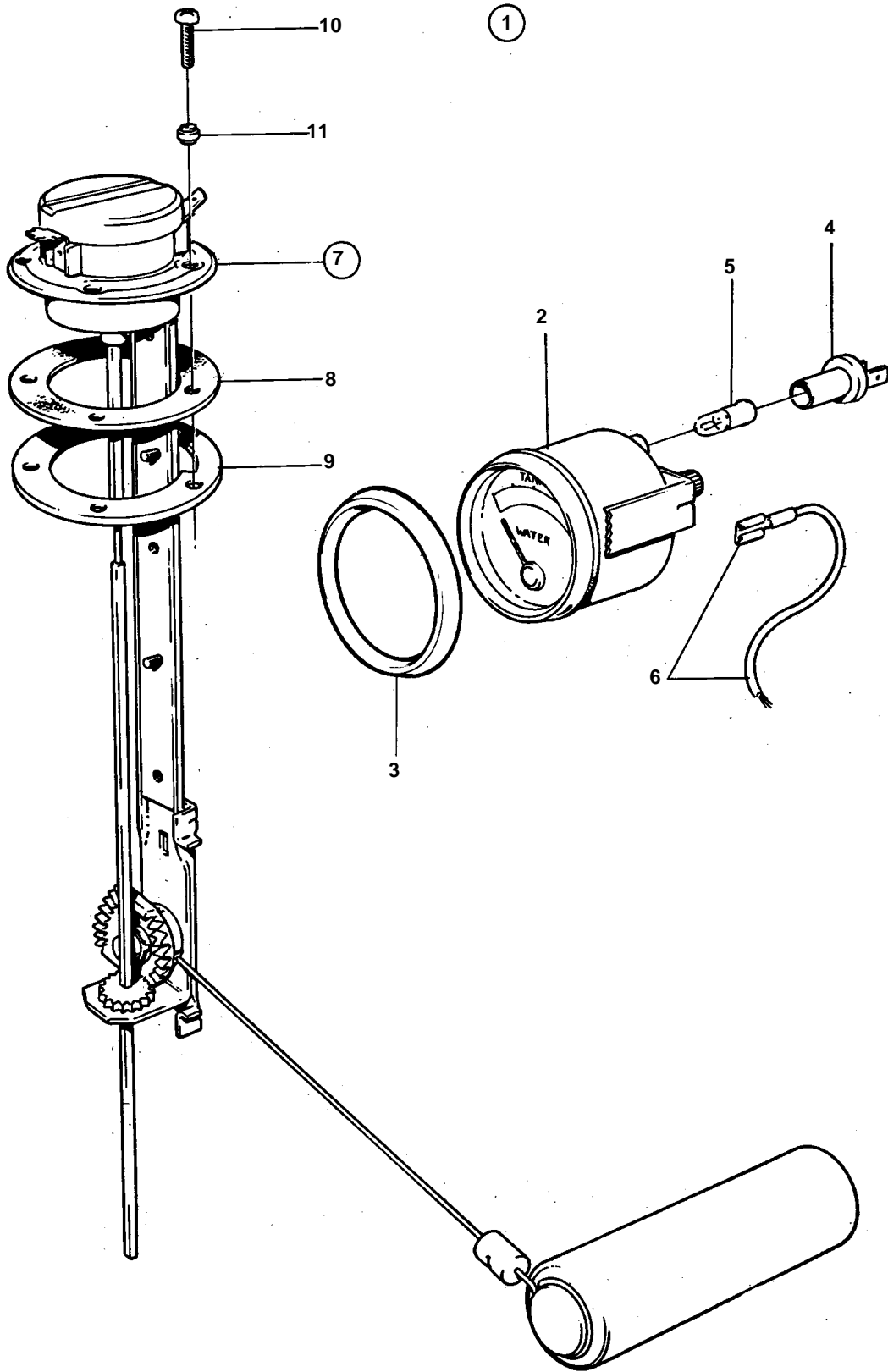


COMMON



COMMON

| REF | PART NO. | QTY | DESCRIPTION | NOTES |
|-----|----------|-----|------------------------|-------------|
| 1 | 828717 | 1 | | 24V |
| 2 | 828636 | 1 | • Tank gauge | |
| 3 | 828542 | 1 | • Front ring | |
| 4 | 808175 | 1 | • Bulb socket | |
| 5 | 182059 | 1 | • Bulb | |
| 6 | | X | • CABLES AND TERMINALS | SEE GROUP 3 |
| 7 | 834389 | 1 | • Sender | |
| 8 | 89865 | 1 | • • Gasket | |
| 9 | 834480 | 1 | • • Flange | |
| 10 | 956078 | 4 | • • Screw | L = 16 MM |
| | 956081 | 1 | • • Screw | L = 25 MM |
| 11 | 834481 | 5 | • • Gasket | |