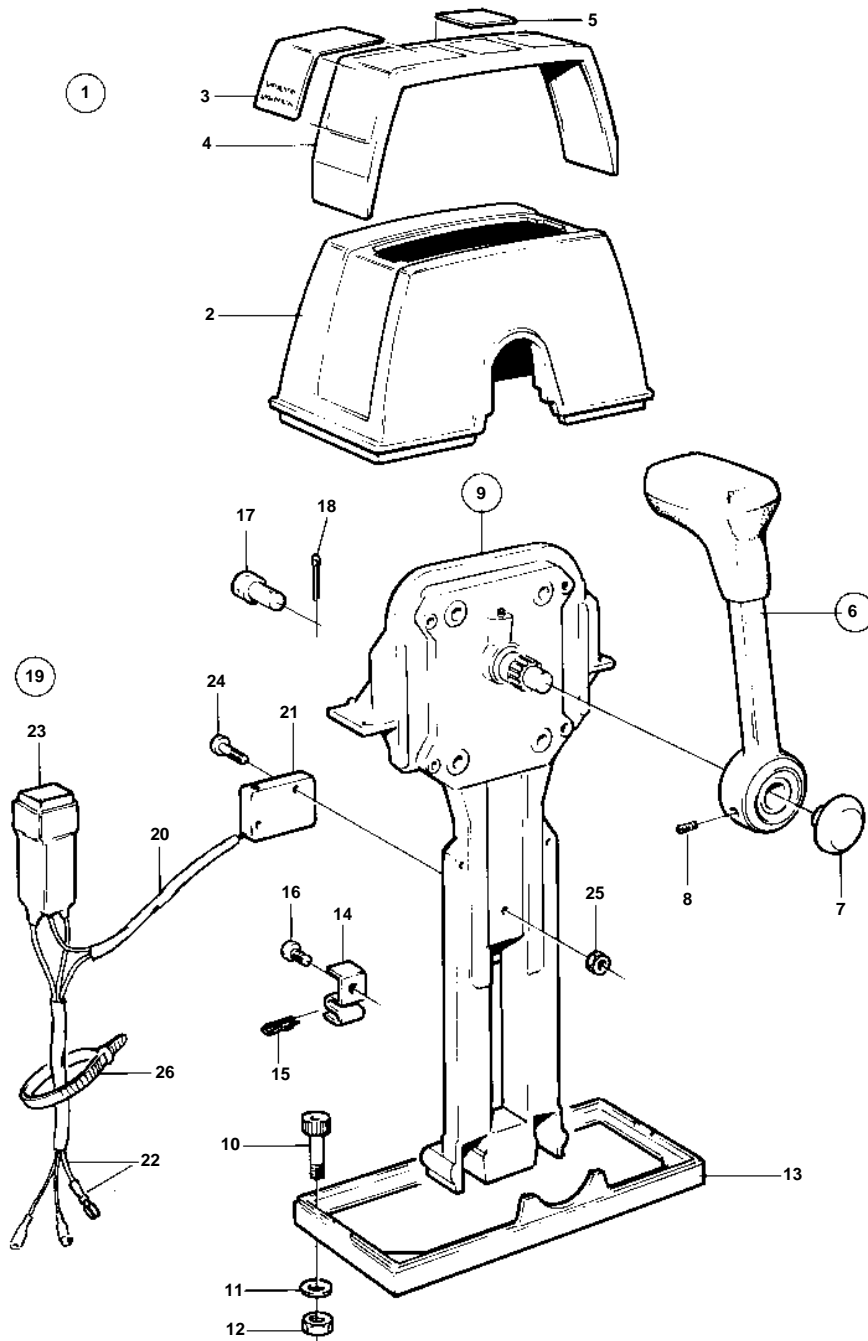


COMMON



7470

COMMON

| REF | PART NO. | QTY | DESCRIPTION | SEE SEC. | NOTES |
|-----|----------|-----|--------------------------|----------|----------|
| 1 | 853169 | 1 | Mounting kit | | TWIN |
| 2 | 851885 | 1 | · Cover | IK | |
| 3 | 851895 | 2 | · Decal | IK | |
| 4 | 851891 | 1 | · Cover plate | IK | |
| 5 | 851897 | 1 | · Decal | IK | |
| 6 | 852347 | 2 | · Lever | IK | 090-1480 |
| 7 | 853004 | 2 | · · Push button | IK | |
| 8 | 963678 | 2 | · · Screw | IK | |
| 9 | 851600 | 2 | · Control | IK | |
| 10 | 947671 | 4 | · Allen head screw | IK | |
| 11 | 960138 | 4 | · Washer | IK | |
| 12 | 955780 | 4 | · Nut | IK | |
| 13 | 839479 | 1 | · Plate | IK | |
| 14 | 853423 | 2 | · Retainer | IK | |
| 15 | 852924 | 2 | · Clip | IK | |
| 16 | 839664 | 2 | Screw | | |
| 17 | 839638 | 2 | Cube | IK | |
| 18 | 17253 | 2 | Cotter pin | IK | |
| 19 | 855352 | 2 | Neutral posit contac | | |
| 20 | 839619 | 2 | · Cable kit | | |
| 21 | 850200 | 2 | · · Switch | | |
| 22 | | X | · · CABLES AND TERMINALS | | |
| 23 | 1501832 | 2 | · Relay | | |
| 24 | 946177 | 4 | · Screw | | |
| 25 | 947536 | 4 | · Nut | | |
| 26 | 948210 | X | · Strip clamp | | |