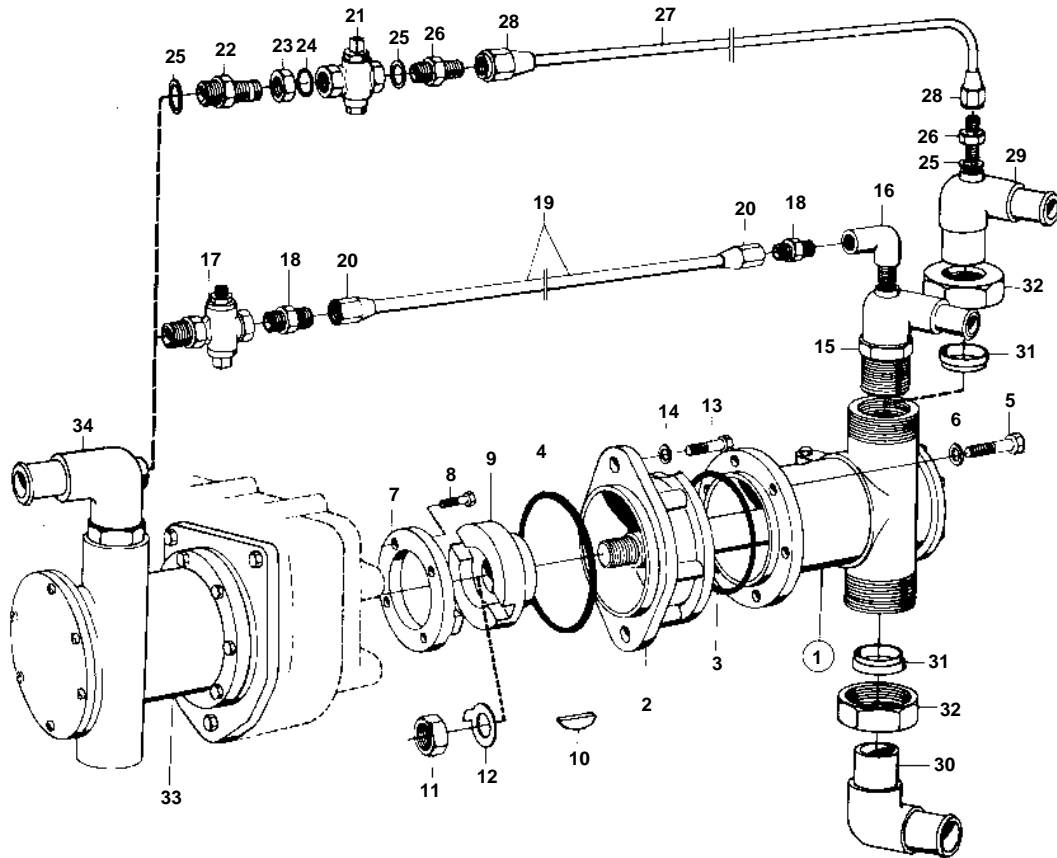


MD70C,TMD70C,TAMD70C,AQD70C



3708

MD70C,TMD70C,TAMD70C,AQD70C

| REF | PART NO. | QTY | DESCRIPTION | SEE SEC. | NOTES |
|-----|----------|-----|----------------------|----------|----------------------------|
| 1 | 822459 | 1 | | | MO-XXXX/11043 |
| | | | | 090-0200 | |
| | 837371 | 1 | Bilge pump | | MOXXXX/11044- |
| | | | | 090-0200 | |
| 2 | 820833 | 1 | Intermediate section | | |
| 3 | 925095 | 1 | O-ring | IK | |
| 4 | 420213 | 1 | Seal | | |
| 5 | 940115 | 3 | Screw | | |
| 6 | 942336 | 3 | Spring washer | | |
| 7 | 821071 | 1 | Companion flange | | |
| 8 | 955513 | 4 | Screw | | |
| 9 | 820960 | 1 | Dog clutch | | |
| 10 | 942406 | 1 | Key | | |
| 11 | 955860 | 1 | Nut | | |
| 12 | 942735 | 1 | Lock washer | | |
| 13 | 940115 | 2 | Screw | | |
| 14 | 942336 | 2 | Spring washer | | |
| 15 | 942335 | 1 | Hose attachment | | MO-XXXX/11043. |
| 16 | 803809 | 1 | Nipple | | MO-XXXX/11043. |
| 17 | 803808 | 1 | Tap | | MO-XXXX/11043. |
| 18 | 954337 | 2 | Nipple | | MO-XXXX/11043. |
| 19 | 954307 | X | Copper tube | | L = 250 MM. MO-XXXX/11043. |
| 20 | 954323 | 2 | Cap nut | | MO-XXXX/11043. |
| 21 | 837375 | 1 | Tap | | MOXXXX/11044-. |
| 22 | 828003 | 1 | Nipple | | MOXXXX/11044-. |
| 23 | 828004 | 1 | Nut | | MOXXXX/11044-. |
| 24 | 960162 | 1 | O-ring | | MOXXXX/11044-. |
| 25 | 907133 | 3 | Washer | | MOXXXX/11044-. |
| 26 | 828005 | 2 | Nipple | | MOXXXX/11044-. |
| 27 | 954307 | X | Copper tube | | L = 460 MM. MOXXXX/11044-. |
| 28 | 954323 | 2 | Cap nut | | MOXXXX/11044-. |
| 29 | 837272 | 1 | Anchorage | | MOXXXX/11044-. |
| 30 | 837274 | 1 | Anchorage | | MOXXXX/11044-. |
| 31 | 807957 | 2 | Sealing ring | | MOXXXX/11044-. |
| 32 | 6606324 | 2 | Nut | | MOXXXX/11044-. |
| 33 | | 1 | SEA WATER PUMP | | SEE GROUP 2B |
| 34 | | 1 | ELBOW NIPPLE | | SEE GROUP 2B |