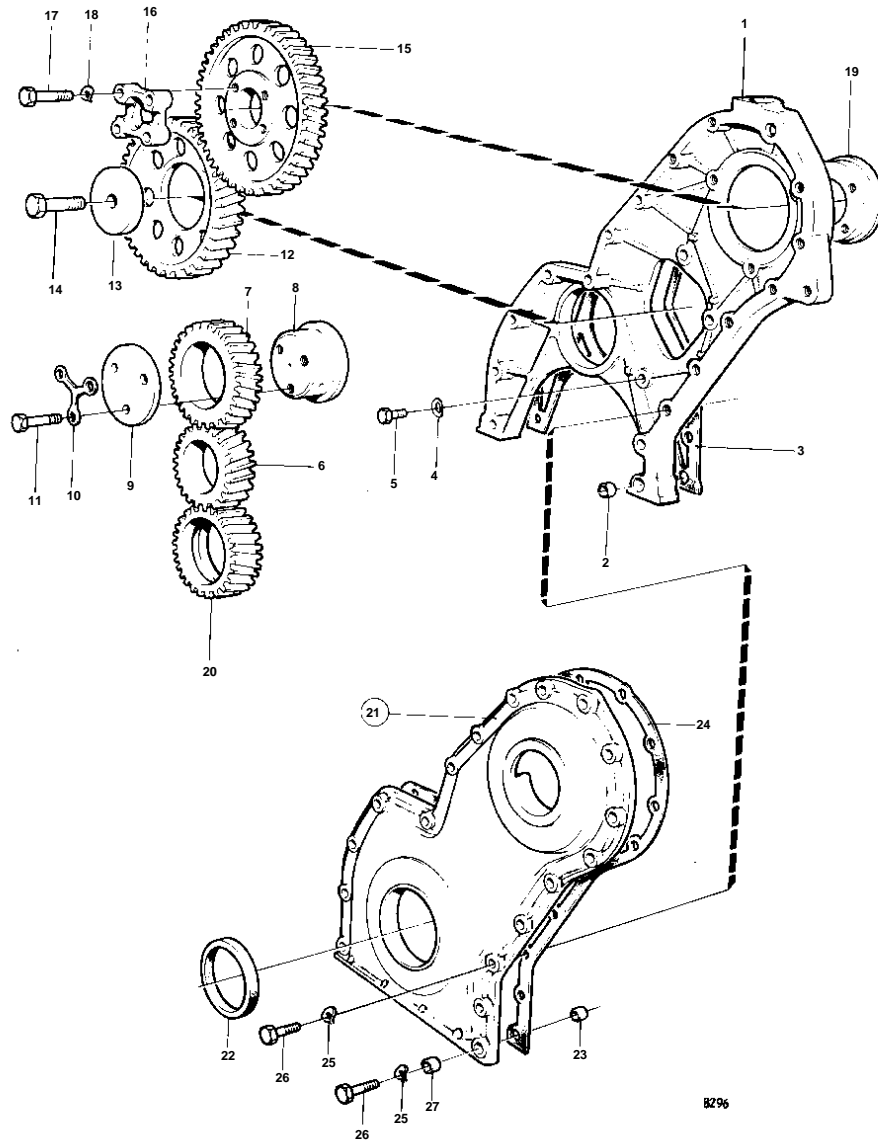


TMD40B,TMD40C



TMD40B,TMD40C

REF	PART NO.	QTY	DESCRIPTION	SEE SEC.	NOTES
1	842988	1	Timing gear casing		
2	415311	1	Sleeve		
3	1542219	1	Gasket	IK	
4	941907	4	Spring washer		
5	955295	3	Screw		L = 20 MM
	940142	1	Screw		L = 30 MM
6	1542305	1	Gear	02A-0560	
7	1542061	1	Gear		
8	838997	1	Pin		(1542064)
9	1542065	1	Thrust washer		
10	421076	1	Lock washer		EARLY TYPE
11	955302	3	Screw		EARLY TYPE
	965180	3	Flange screw		LATE TYPE
12	1542034	1	Gear	02A-0810	
13	1542223	1	Washer	02A-0810	
14		1	BOLT	02A-0810	
15	1544149	1	Gear		MO33182-
16	829523	1	Companion flange		
17	955298	4	Screw		
18	941907	4	Spring washer		
19	1542171	1	Hub		SEE GROUP 2C
20	1542215	1	Gear		
21	843086	1	Cover		
22	1542318	1	· Sealing ring	IK	
23	415311	2	· Sleeve		
24	859038	1	Gasket	IK	
25	941907	13	Spring washer		
26	955300	1	Screw		L = 50 MM
	955304	5	Screw		L = 70 MM
	955306	2	Screw		L = 80 MM, SEE GROUP 3
	940132	5	Screw		L = 35 MM
	955307	2	Screw		L = 100 MM, SEE GROUP 3
	955299	1	Screw		L = 45 MM
	955268	1	Screw		
27	842350	1	Spacer sleeve		SEE GROUP 2B