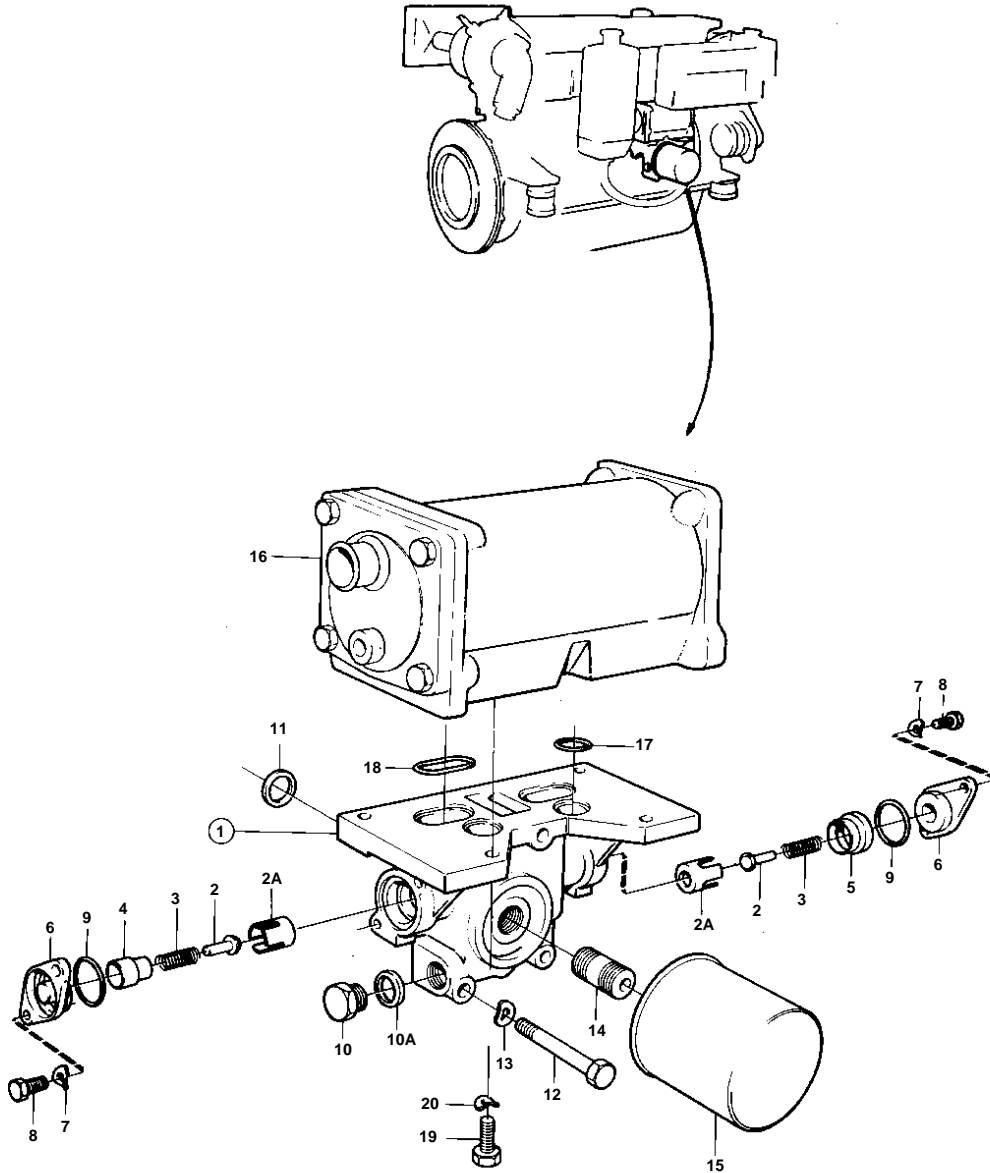


MD40A,AQD40A,TMD40A,TMD40B,TMD40C,AQAD40A,AQAD40B,TAMD40A,TAMD40B



8289

MD40A,AQD40A,TMD40A,TMD40B,TMD40C,AQAD40A,AQAD40B,TAMD40A,TAMD40B

| REF | PART NO. | QTY | DESCRIPTION | NOTES |
|-----|----------|-----|----------------|---|
| 1 | 858245 | 1 | Housing | (842584) MO20711- |
| 2 | 471085 | 2 | • Valve | |
| 2A | 1542265 | 2 | • Seat | |
| 3 | 468087 | 2 | • Spring | |
| 4 | 1542268 | 1 | • Sleeve | |
| 5 | 1542266 | 1 | • Sleeve | |
| 6 | 1542267 | 2 | • Cover | |
| 8 | 946544 | 4 | • Flange screw | |
| 9 | 925065 | 2 | • O-ring | |
| 10 | 952077 | 1 | • Plug | |
| 11 | 469483 | 4 | Sealing ring | (422581) |
| 12 | 955306 | 3 | Screw | |
| 13 | 941907 | 3 | Spring washer | |
| 14 | 423067 | 1 | Nipple | |
| 15 | 471034 | 1 | Oil filter | |
| 16 | 842589 | 1 | Oil cooler | MO-41831 |
| | 838968 | 1 | Oil cooler | (842589) MO41832- SEE GROUP 2B |
| | 845349 | 1 | Oil cooler | MO-39857. SPEC 867560 867561 867562 867563 867564 867565. |
| | 838969 | 1 | Oil cooler | (845349) MO39858- SEE GROUP 2B |
| 17 | 469483 | 2 | Sealing ring | (422581) |
| 18 | 842586 | 2 | Sealing ring | |
| 19 | 940142 | 3 | Screw | |
| 20 | 941907 | 3 | Spring washer | |