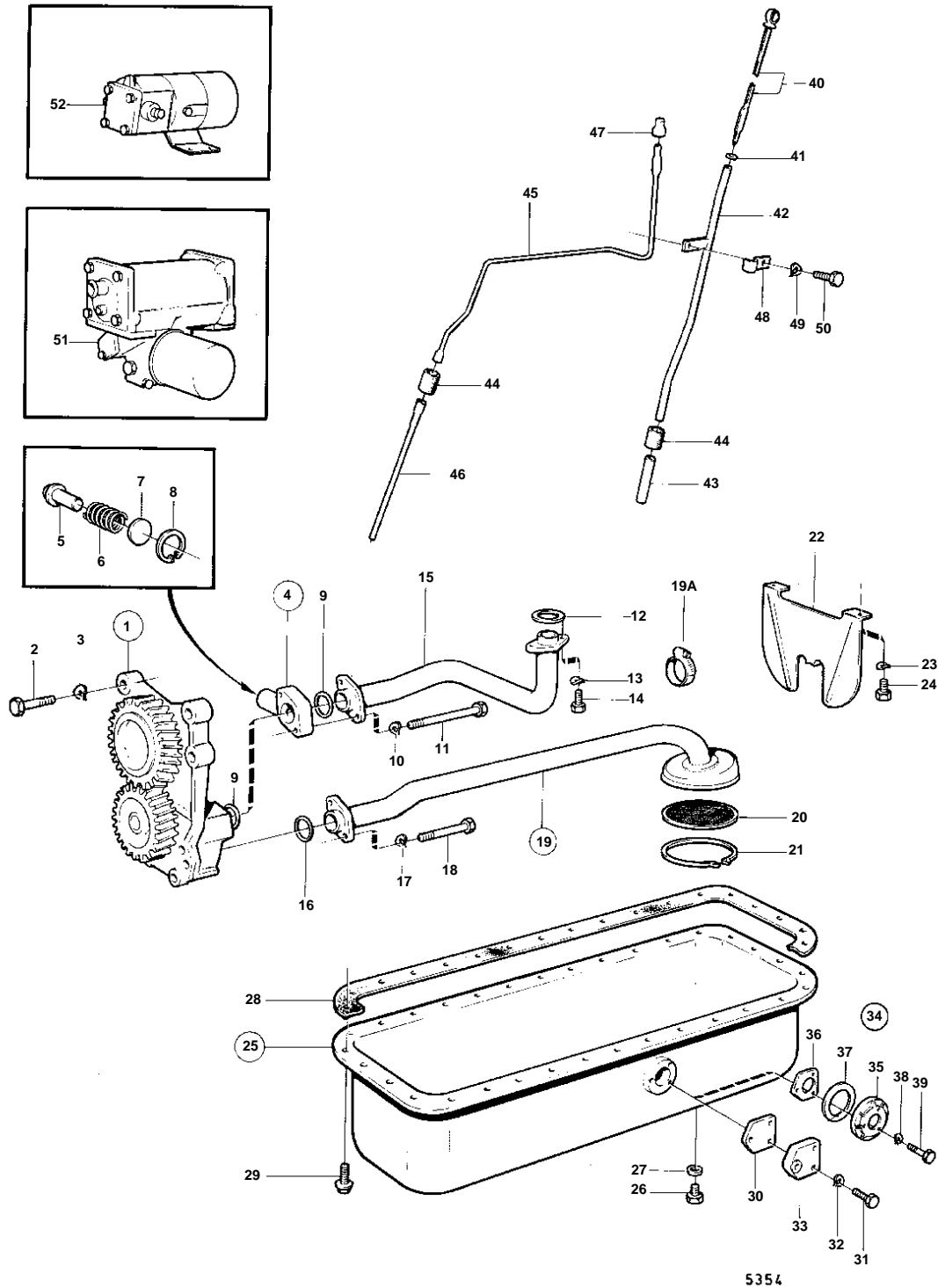


MD40A,AQD40A,TMD40A,TMD40B,TMD40C,AQAD40A,AQAD40B,TAMD40A,TAMD40B



MD40A,AQD40A,TMD40A,TMD40B,TMD40C,AQAD40A,AQAD40B,TAMD40A,TAMD40B

REF	PART NO.	QTY	DESCRIPTION	SEE SEC.	NOTES
1	1542210	1	Oil pump		
				02A-1450	
2	955299	4	Screw		
3	941907	4	Spring washer		
4	1542255	1	Reducing valve		
5	471115	1	· Reducing valve		
6	1542257	1	· Spring		
7	948343	1	· Washer		
8	914506	1	· Lock ring		
9	469482	2	O-ring	IK	(424346)
10	941907	2	Spring washer		
11	940129	2	Screw		
12	1542385	2	Sealing ring	IK	
13	941907	2	Spring washer		
14	955295	2	Screw		
15	1542383	1	Tube		
16	925060	1	O-ring	IK	
17	941907	2	Spring washer		
18	955303	2	Screw		
19	829491	1	Tube		
19A	943473	1	· Hose clamp		
20	403483	1	Wire gauze		
21	118123	1	Lock ring		
22	829492	1	Baffle plate		
23	942385	2	Disc spring		
24	955293	2	Screw		
25	844909	1	Oil pan		(829465)
26	948187	1	· Plug		
27	18818	1	· Gasket	IK	
28	859032	1	Gasket	IK	(1542247)
29	946440	32	Flange screw		
30	842928	1	Gasket	IK	MO-6246. MO6276-. MO-7826.
31	955294	3	Screw		MO-6246. MO6276-. MO-7826.
32	941907	3	Spring washer		MO-6246. MO6276-. MO-7826.
33		1	FLANGE		REPL BY 845256
34	845256	1	Cover flange		EXCL SPEC 867560 867561 867562 867563 867564 867565.
35	845103	1	· Cover flange		
36	842928	2	· Gasket		
37	845104	1	· Gasket		
38	941907	3	· Spring washer		
39	955297	3	· Screw		
40	829577	1	Oil dipstick		
41	949187	1	· O-ring	IK	(955972)
42	829580	1	Pipe		REPL BY 847038. EXCL SPEC 867560 867561 867562 867563 867564 867565.. MO-29495
	847038	1	Tube		MO 29496-.
	845347	1	Tube		SPEC 867560 867561 867562 867563 867564 867565.
43	843692	1	Tube		
44	843533	2	Rubber hose		
45	829572	1	Oil scavenging pipe		
46	829579	1	Tube		
47	943835	1	Plug		
48	121565	2	Clamp		
49	941906	2	Spring washer		
50	955269	1	Screw		L = 12 MM
	955268	1	Screw		L = 10 MM (940102)
51			OIL FILTER AND INSTALLATION COMPONENTS	02A-1500	
52			EL. OIL SUMP PUMP		SEE GROUP 9