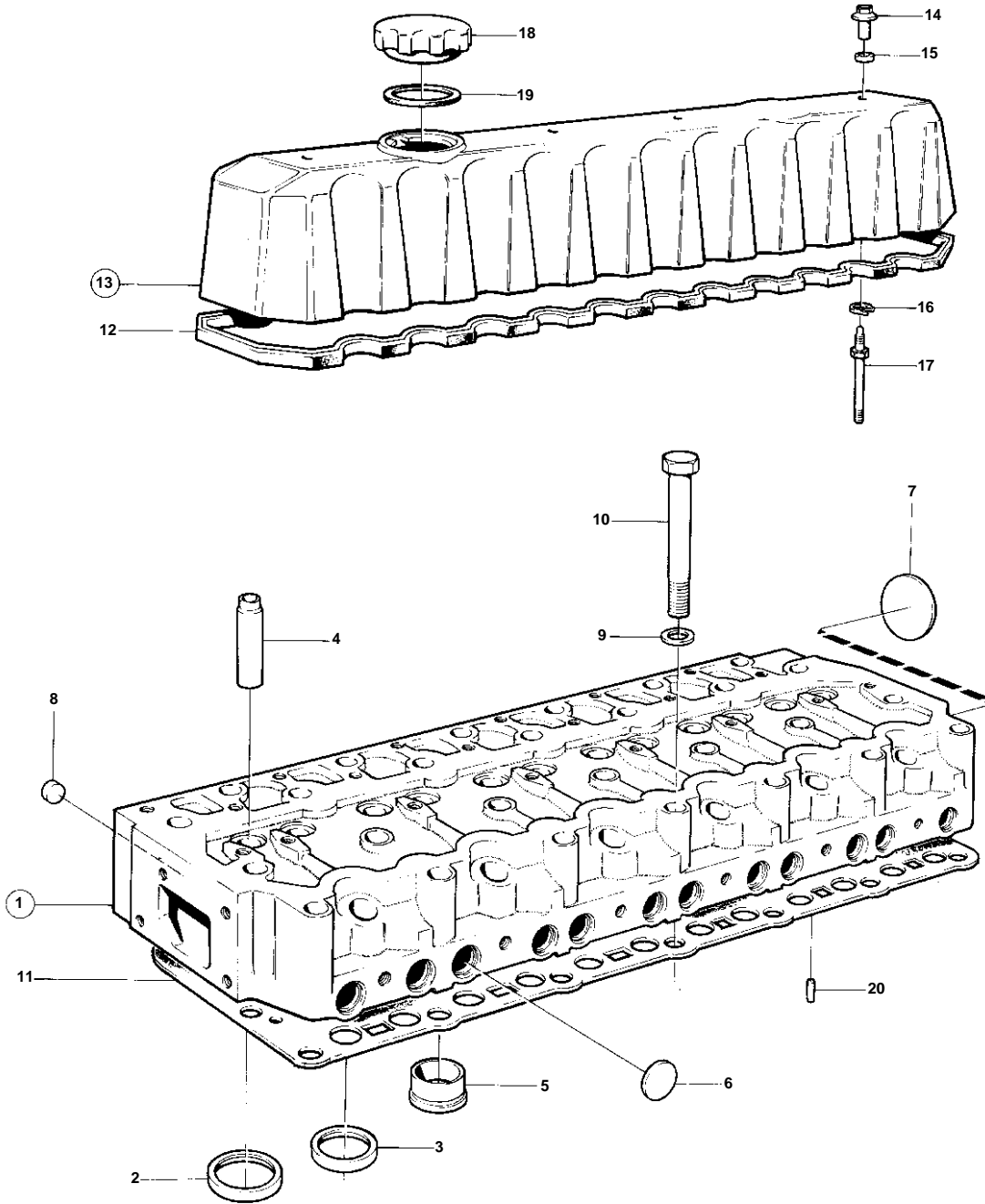


TMD40B,TMD40C



5962

## TMD40B,TMD40C

REF	PART NO.	QTY	DESCRIPTION	SEE SEC.	NOTES
1	1545287	1	Cylinder head		
					REPL BY 858996
	858996	1	Cylinder head		
	3803009	1	Cylinder head, exch		Exchange unit
2	1545174	6	· Valve seat, INTAKE		STD D (1542409)
	1542403	6	· Valve seat, INTAKE		OVER SIZE 0,20 MM
					REPL BY 1545175
	1545175	6	· Valve seat, INTAKE		OVER SIZE 0,20 MM
3	1545177	6	· Valve seat, EXHAUST		(1542410) STD D
	1545178	6	· Valve seat, EXHAUST		OVER SIZE 0,20 MM (154240
4	419653	12	· Valve guide		
5		6	· EMULSION BLOCK		
6	192426	18	· Plug		
7	1542264	1	· Expansion plug		
8	967853	6	· Cap plug		(955081)
9	1542316	27	Washer		SCREW-1542144 AND WASHER-1542316 ARE REPLACED BY FLANGE- SCREW-838775.
10	1542019	27	Screw		MO-32069
	1542144	27	Screw		MO32070-. SCREW-1542144 AND WASHER-1542316 ARE REPLACED BY FLANGE- SCREW-838775.
					REPL BY 838775
	838775	27	Screw		
11	859155	1	Gasket	IK	(858503)
12	1542287	1	Gasket	IK	
13	1542285	1	Cover		(1542284)
14	1542286	4	Cap nut		
15	469846	4	Sealing ring	IK	(424342)
16	914449	4	Lock ring		
17	1542283	4	Stud	02A-0810	
18	420292	1	Oil filler cap		
19	940096	1	Gasket		
20	946402	2	Pin		