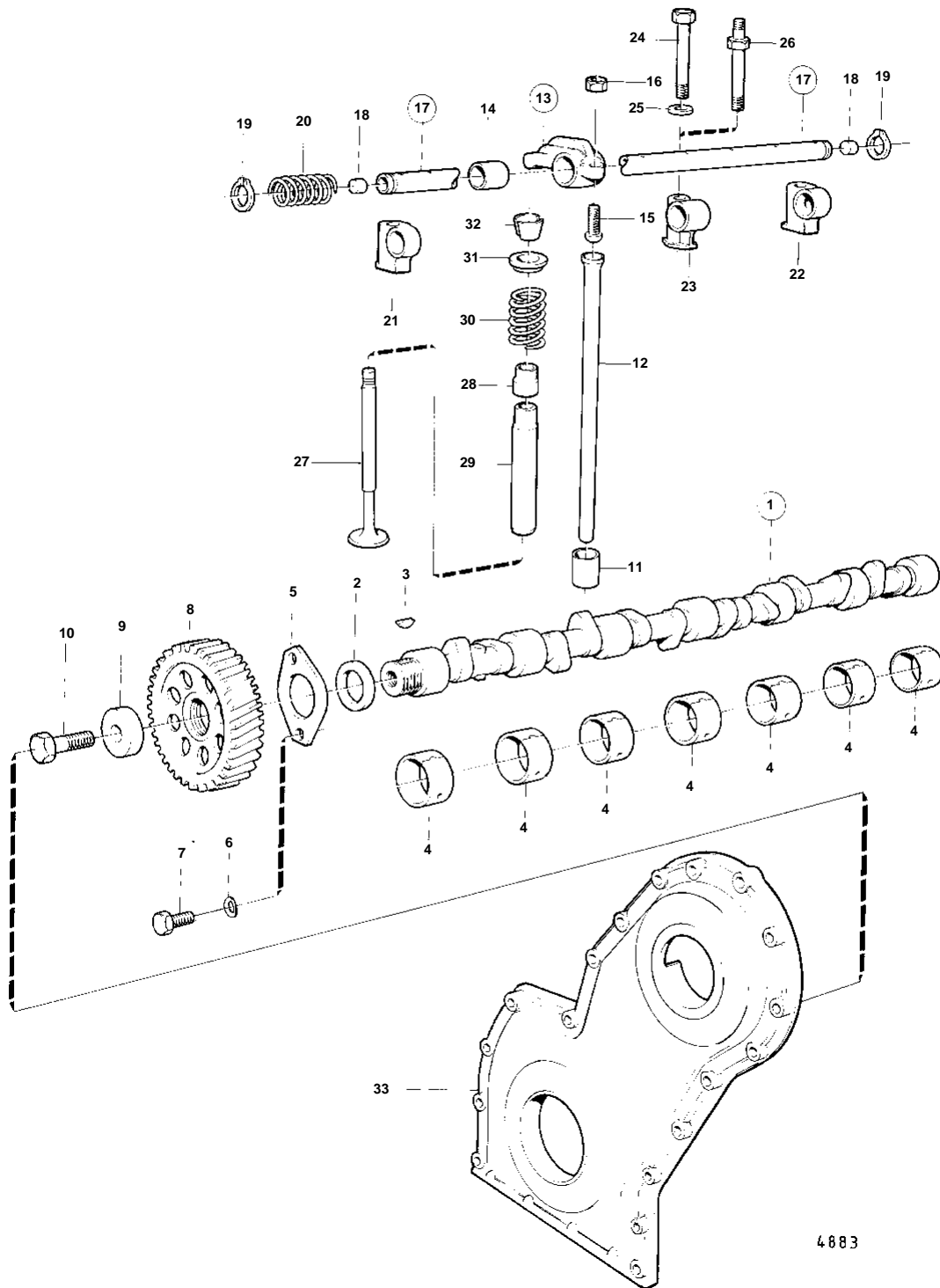


TMD40B,TMD40C



4 883

TMD40B,TMD40C

REF	PART NO.	QTY	DESCRIPTION	SEE SEC.	NOTES
1	1542418	1	Camshaft		
2	1542221	1	· Spacer washer		
3	910116	1	· Key		
4	1542067	7	Bushing	02A-0305	
5	838992	1	Thrust washer		(1542222)
6	941907	2	Spring washer		
7	955295	2	Screw		
8	1542034	1	Gear	02A-0860	
9	1542223	1	Washer	02A-0860	
10	955347	1	Screw		MO-4406 L = 65 MM
	955344	1	Screw		MO4407- L = 50 MM
11		12	VALVE LIFTER		REPLACED BY VALVE LIFTER 1542208 AND PUSH ROD 1542207.
	1542208	12	Tappet		
12		12	PUSH ROD		REPLACED BY VALVE LIFTER 1542208 AND PUSH ROD 1542207.
	1542207	12	Push rod		MO-26848. REPLACED BY 1545239.
	1545239	12	Push rod		MO 26849-
13	418301	6	Rocker arm		NO. 1-3-5-7-9-11
	418298	6	Rocker arm		NO. 2-4-6-8-10-12
14	418297	12	· Bushing		
15	418286	12	· Ball stud		
16	921781	12	· Nut		
17	1542039	1	Rocker arm shaft		
18	955083	2	· Cap plug		
19	914456	2	Lock ring		
20	411139	5	Spring		
21	1542041	1	Bearing bracket		
22	1542042	1	Bearing bracket		
23	1542043	6	Bearing bracket		
24	955304	4	Screw		
25	955894	4	Washer		
26	1542283	4	Stud	02A-1160	
27	1542472	6	Inlet valve		(1542037)
	1542389	6	Exhaust valve		
28	419702	6	Valve seal		REPL BY 1306630
	1306630	6	Valve seal		
29	419653	12	Valve guide	02A-1160	
30	1545198	12	Valve spring		
31	460181	12	Washer		
32	419643	24	Valve collet		
33			TIMING GEAR COVER AND GEAR	02A-0860	