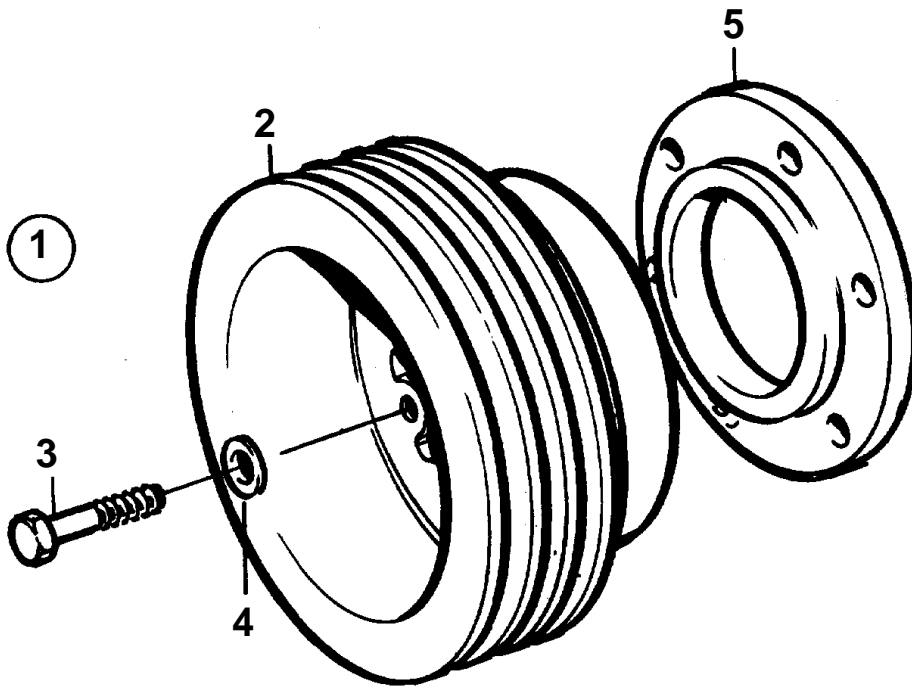


COMMON



**COMMON**

REF	PART NO.	QTY	DESCRIPTION	NOTES
1	860026	1	Pulley	"B". ONLY FOR ENGINES WITH DAMPER THICKNESS T=35MM. REPL BY 861158
2	860025	1	· Pulley	"B"
3	955307	6	· Screw	L = 100 MM

