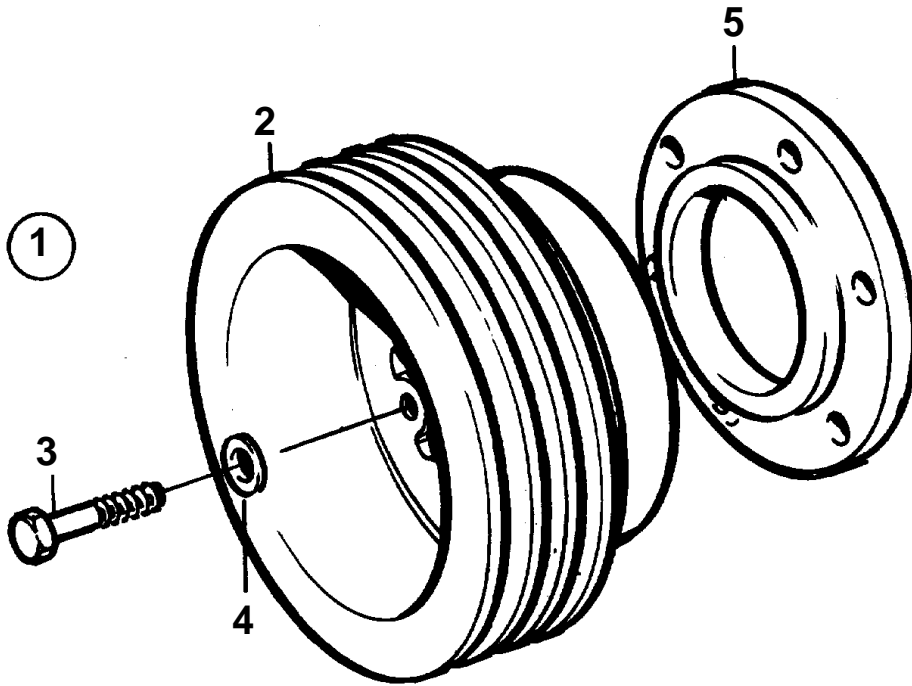


COMMON



COMMON

| REF | PART NO. | QTY | DESCRIPTION | NOTES |
|-----|----------|-----|-------------|--|
| 1 | 860024 | 1 | Pulley | "HC50". ONLY FOR ENGINES WITH DAMPER THICKNESS T=35MM. REPL BY 861157 |
| | | | | |
| | | | | |
| 2 | 860023 | 1 | · Pulley | "HC50" |
| | | | | |
| 3 | 955307 | 6 | · Screw | L = 100 MM |
| | | | | |
| | | | | |