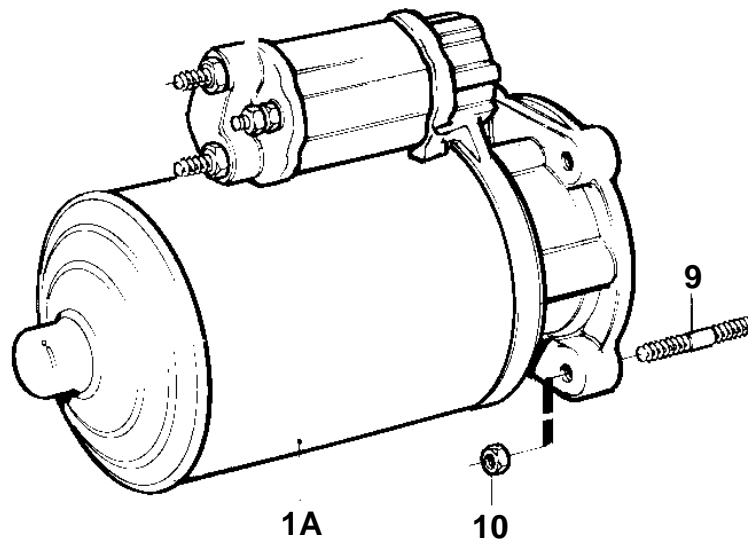
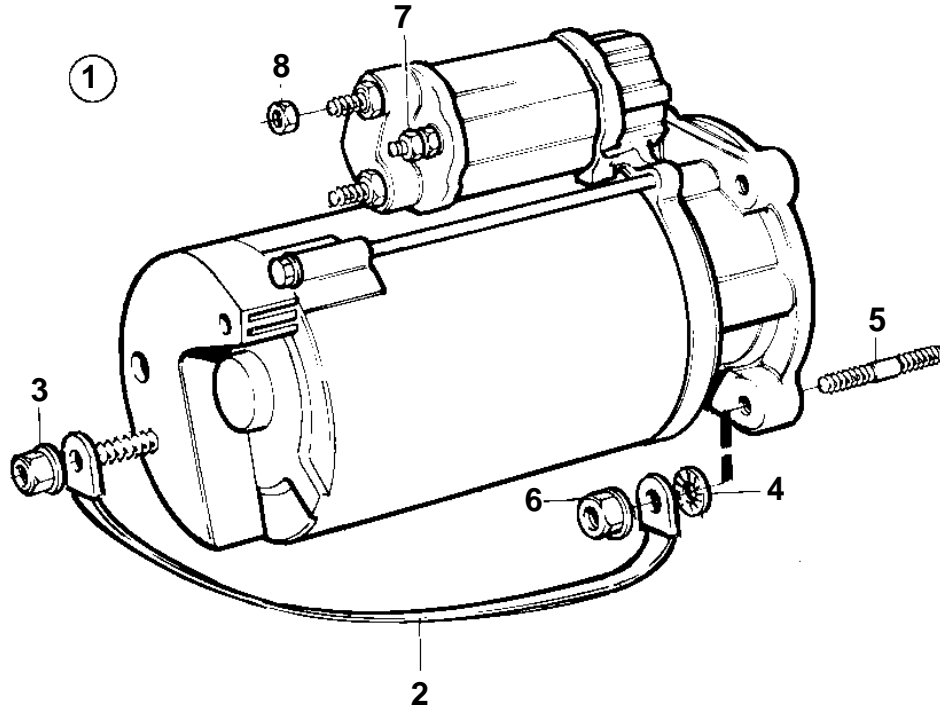


MD31A,TMD31B,TAMD31B



11119

MD31A,TMD31B,TAMD31B

REF	PART NO.	QTY	DESCRIPTION	SEE SEC.	NOTES
1	859252	1	Starter motor		FOR 12 VOLTAGE ELECTRIC SYSTEM.
				030-1710	
1A	838987	1	Starter motor		FOR 24 VOLTAGE ELECTRIC SYSTEM.
				030-1720	
2	968048	1	Cable		NOT FOR TAMD31B AND TAMD41B SOLAS VERSION.
3	945408	1	Flange nut		
4	945987	1	Lock washer		
5	953067	2	Stud		L = 45 MM
	953069	1	Stud		L = 50 MM
6	971095	3	Nut		
7	965483	1	Nut		
8	945408	1	Flange nut		
9	953067	2	Stud		L = 45 MM
	953069	1	Stud		L = 50 MM
10	971095	3	Nut		