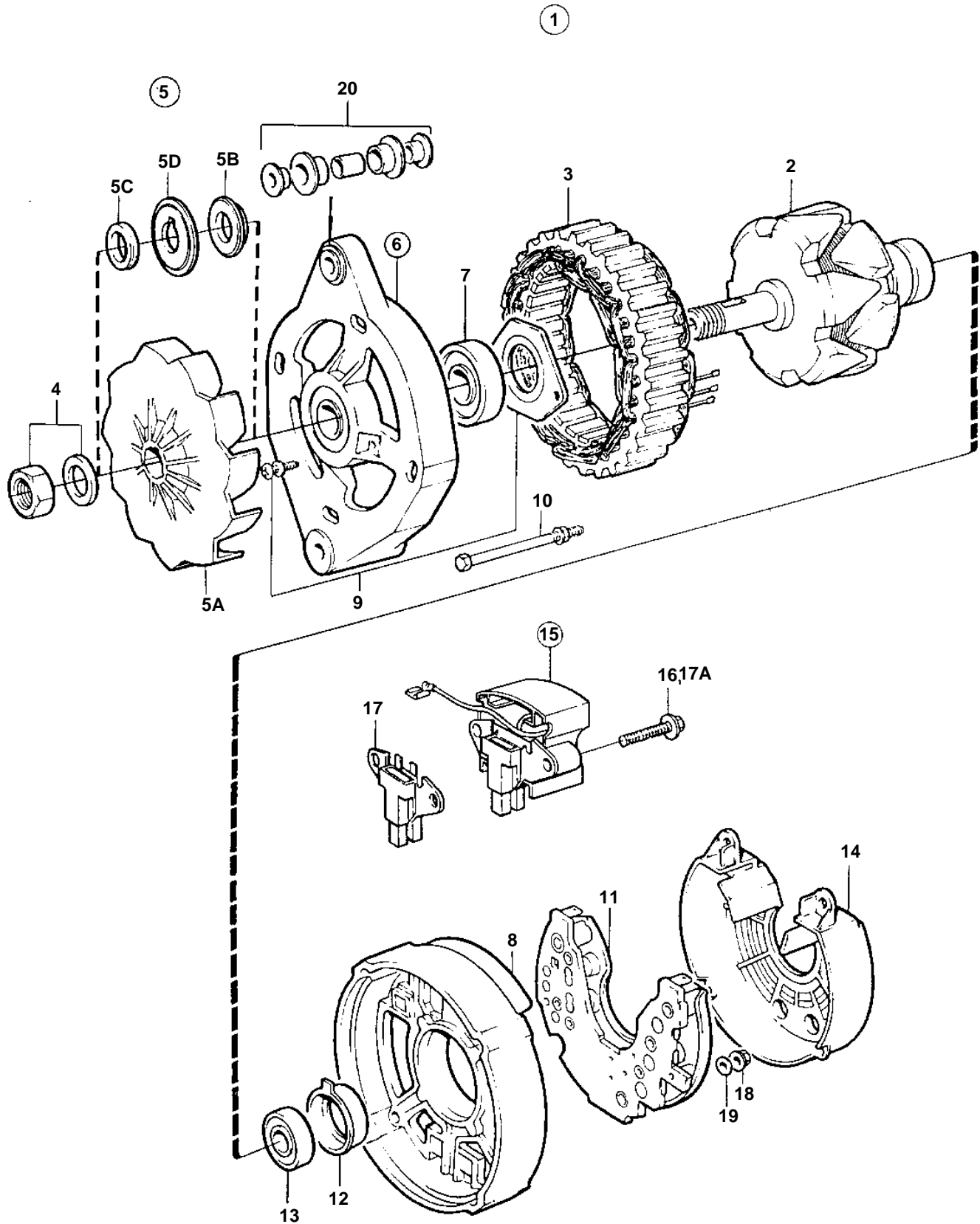


COMMON



COMMON

REF	PART NO.	QTY	DESCRIPTION	NOTES
1	872926	1	Alternator	FOR 12 VOLTAGE ELECTRIC SYSTEM.
2		1	· ROTOR	
3		1	· STATOR	
4	6212688	1	· Mounting kit	
5	860281	1	· Fan kit	
5A		1	· · FAN	
5B	862897	1	· · Spacer washer	
5C	860284	1	· · Spacer washer	
5D	860283	1	· · Washer	
6	859416	1	· End plate	
7	860432	1	· · Ball bearing	
8	859417	1	· End plate	
11	873238	1	· Diode bridge	
12	873241	1	· Bearing carrier	
13	873239	1	· Ball bearing	
14	873240	1	· Protecting casing	
15	872720	1	· Regulator, GOVERNOR WITH BRUSH HOLDER	
16		2	· · SCREW	
18	955779	1	· Nut	M4, W
	965483	2	· Nut	M5, D+, B-
	945407	1	· Flange nut	M6, B+
19	941904	1	· Spring washer	FOR M4, W
20	840634	1	· Damper kit	