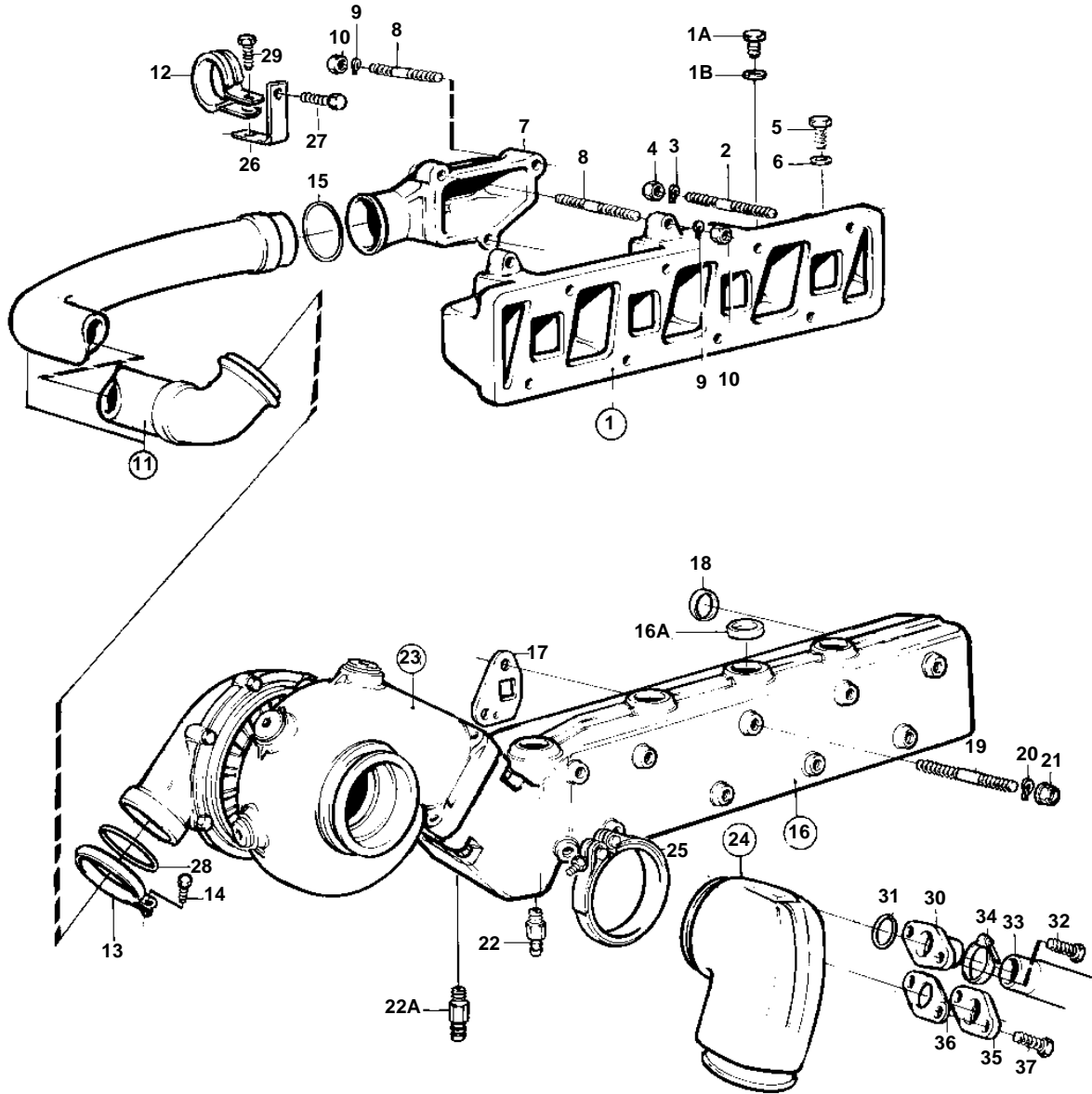


TMD31B



10760

**TMD31B**

REF	PART NO.	QTY	DESCRIPTION	SEE SEC.	NOTES
1	859299	1	Inlet pipe		
1A	960634	4	· Plug		
1B	947627	4	· Gasket		
2	924068	6	Stud		
3	941907	6	Spring washer		EARLY TYPE
4	945408	6	Flange nut		
5	960632	1	Plug		
6	947624	1	Gasket		
7	838857	1	Pipe connection		
8	17942	2	Stud		L = 110 MM
	953049	1	Stud		L = 50 MM
9	941907	3	Spring washer		EARLY TYPE
10	945408	3	Flange nut		
11	838867	1	Connection pipe		
12	32447	1	· Clamp		
13	838864	1	Clamp		
14	947542	1	Screw		
15	471449	1	Sealing ring		
16	860460	1	Exhaust pipe		
16A	946780	8	· Cap plug		
17	876144	2	Gasket kit		
18	838766	1	Sealing ring		
19	953007	1	Stud		L = 150 MM
	953003	1	Stud		L = 130 MM
	953001	2	Stud		L = 120 MM
	952999	4	Stud		
20	941908	6	Spring washer		EARLY TYPE
21	971095	8	Nut		
22	949918	1	Drain cock		
22A	947893	1	Drain cock		
23		1	TURBO WITH INSTALLATION COMPONENTS		
				02B-1100	
24	859963	1	Exhaust riser		
25	842993	1	Clamp		
26	838866	1	Bracket		
27	946470	1	Flange screw		
28	967944	1	O-ring		
29	946173	1	Flange screw		
30	858659	1	Hose connection		
31	842913	1	Sealing ring		
32	946544	2	Flange screw		
33	944386	1	Hose		L = 335 MM. HEAT EXCHANGER-EXHAUST PIPE.
34	943475	1	Hose clamp		
35	844093	1	Flange		
36	859002	1	Gasket		
37	946544	2	Flange screw		