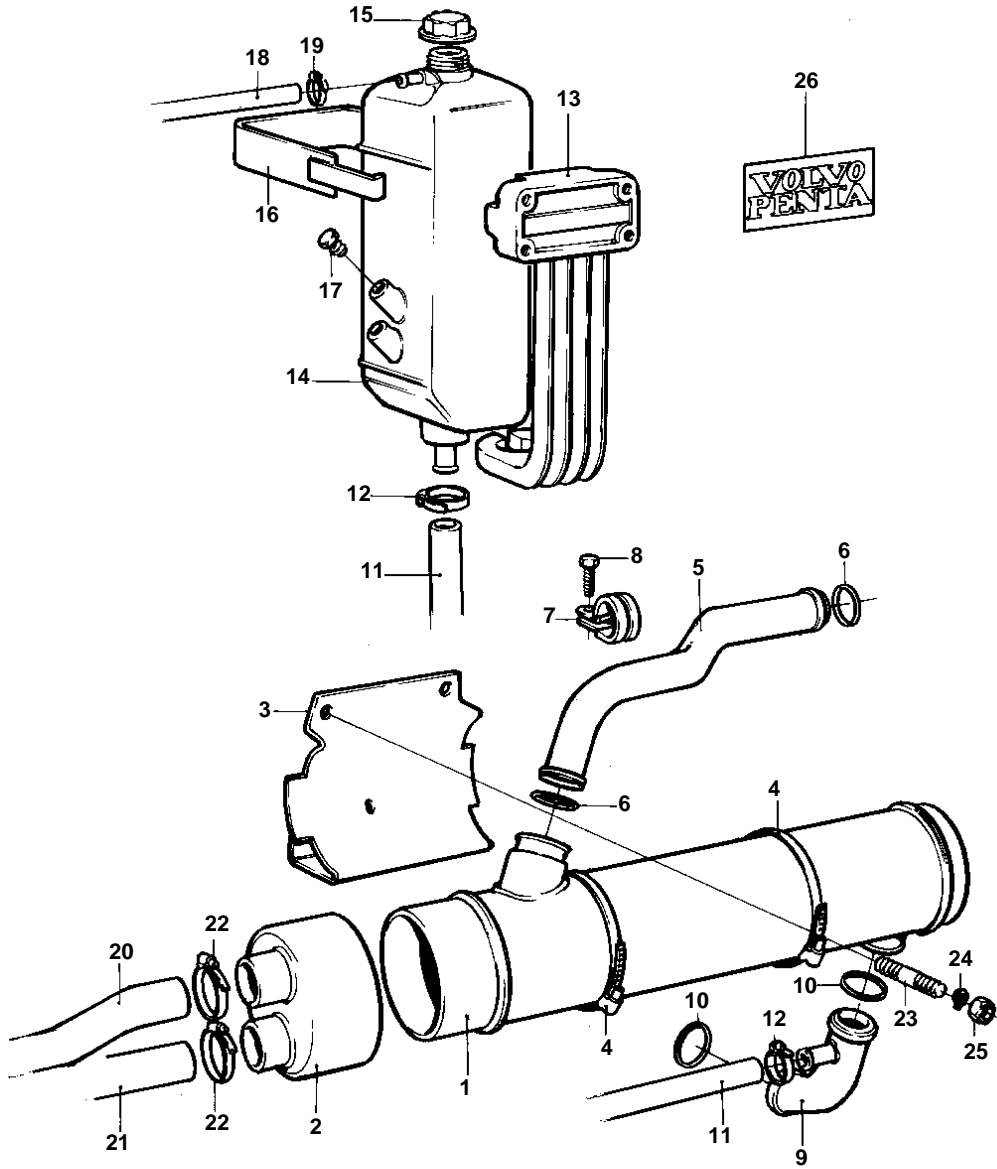


MD31A



8510

# HEAT EXCHANGER AND EXPANSION TANK WITH INSTALLATION COMPONENTS

# 02B

MD31A

REF	PART NO.	QTY	DESCRIPTION	NOTES
1	838884	1	Heat exchanger	
2	838897	1	Cover	
3	858219	1	Bracket	
4	943482	4	Hose clamp	
5	858217	1	Tube	HEAT EXCHANGER-THERMOSTAT HOUSING.
6	968927	2	O-ring	
7	967645	1	Clamp	
8	946544	1	Flange screw	
9	858218	1	Tube	
10	968927	2	O-ring	
11	952969	1	Rubber hose	L = 1940 MM
12	943472	2	Hose clamp	
13	843260	1	Bracket	
14	843759	1	Expansion tank	
15	844624	1	Pressure cap	
16	843266	1	Clamp	
17	947660	2	Plug	
18	943366	1	Hose	L = 2000 MM. EXPANSION TANK-THERMOSTAT HOUSING
19	943470	1	Hose clamp	
20	858482	1	Coolant pipe	HEAT EXCHANGER-EXHAUST PIPE.
21	858298	1	Tube	OIL COOLER-HEAT EXCHANGER.
22	943475	2	Hose clamp	
23	953003	1	Stud	L = 130 MM
	953007	1	Stud	L = 150 MM
24	941908	2	Spring washer	
25	971095	2	Nut	
26	858889	1	Decal	REPLACED BY DECAL KIT 876234
	876234	1	Decal set	SEE GROUP 9