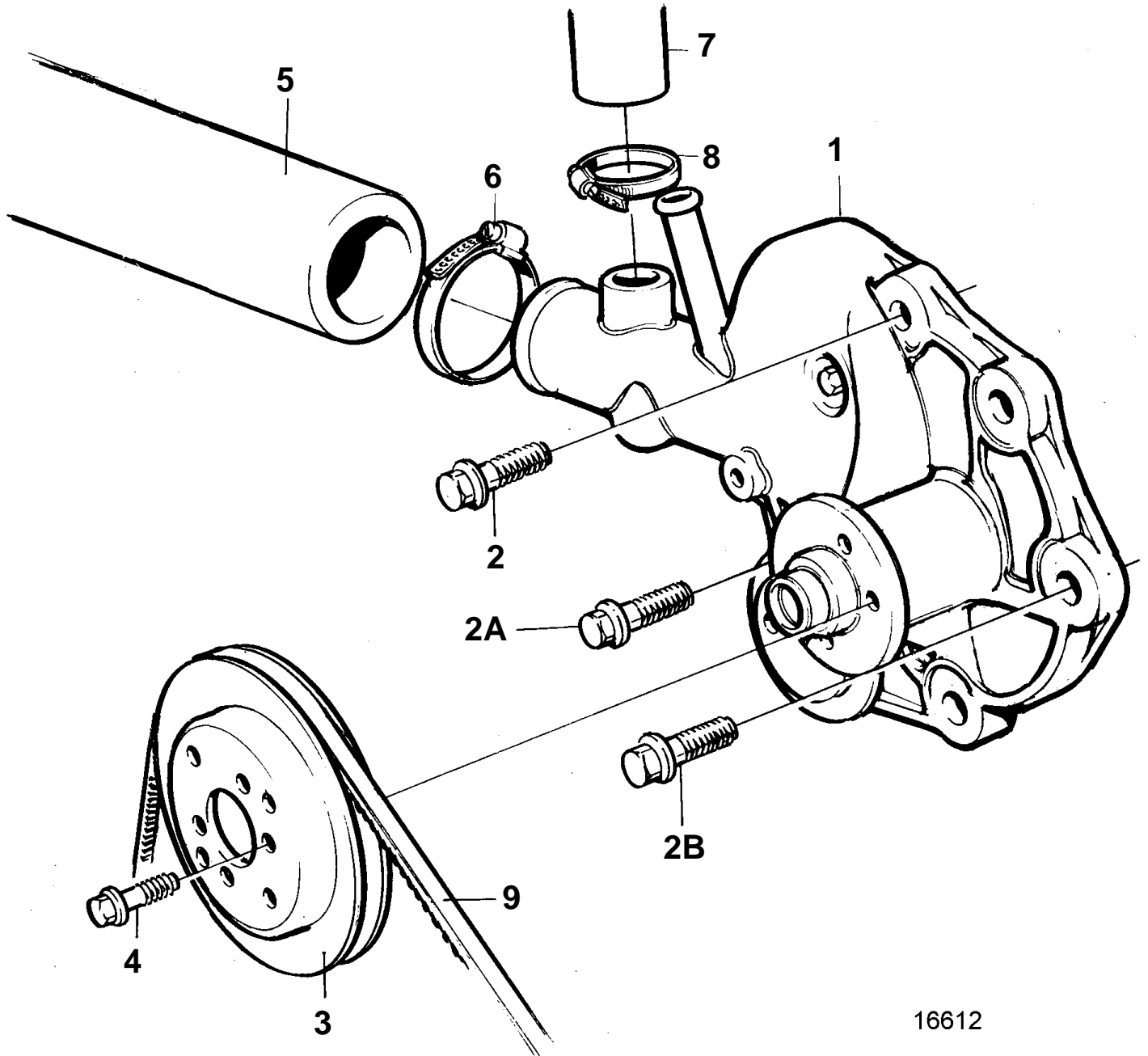


MD22P-B, TMD22-B, TMD22P-C, TAMD22P



16612

MD22P-B, TMD22-B, TMD22P-C, TAMD22P

REF	PART NO.	QTY	DESCRIPTION	NOTES
1	861578	1	Water pump	
2	965220	1	Flange screw	
2A	11997880	1	Screw	
2B	946329	4	Flange screw	(973083)
3	859779	1	Pulley	
4	945358	4	Flange screw	
5	3580930	1	Hose	Heat exchanger-water pump.
6	961670	1	Hose clamp	
7	859799	1	Hose	Thermostat housing-water pump.
8	961669	1	Hose clamp	
9	966912	1	V-belt	