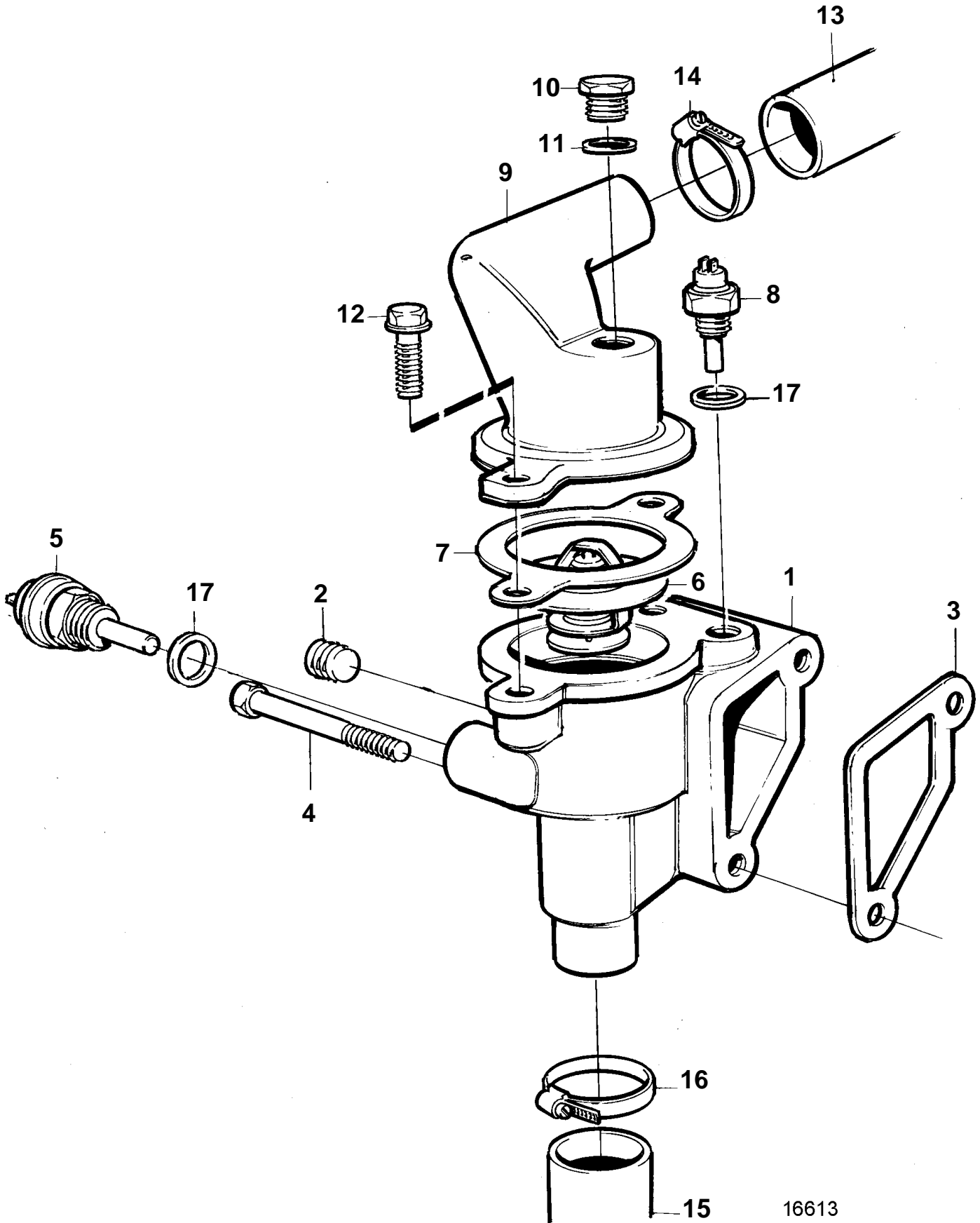


MD22P-B, TMD22-B, TMD22P-C, TAMD22P



MD22P-B, TMD22-B, TMD22P-C, TAMD22P

REF	PART NO.	QTY	DESCRIPTION	NOTES
1	861570	1	Thermostat housing	
2		1	· Plug	
3	859780	1	Gasket	
4	965182	2	Flange screw	
5		1	Thermo monitor	SEE GROUP 30
6	6210419	1	Thermostat	
7	859811	1	Gasket	
8		1	Temperature sensor	SEE GROUP 30
9	859812	1	Connector	
10	859725	1	Plug	
11	483963	1	Washer	
12	945444	2	Flange screw	
13	859800	1	Hose	Thermostat housing-heat exchanger.
14	961670	1	Hose clamp	
15	859799	1	Hose	Thermostat housing-water pump.
16	961669	1	Hose clamp	
17	969011	2	Gasket	