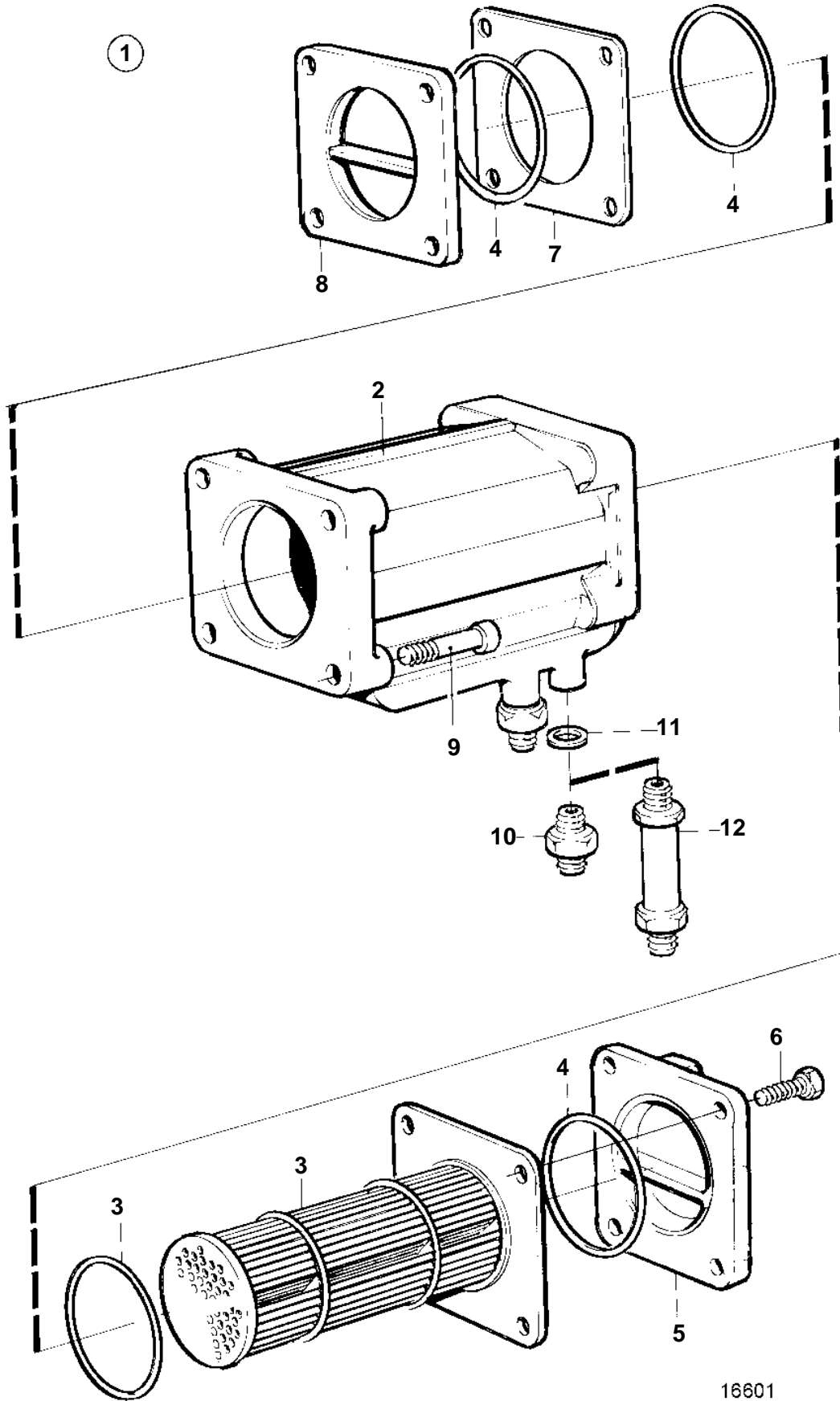


MD22P-B, TMD22-B, TMD22P-C, TAMD22P-B



16601

MD22P-B, TMD22-B, TMD22P-C, TAMD22P-B

REF	PART NO.	QTY	DESCRIPTION	NOTES
1		1	Oil cooler	
2	3580950	1	· Housing	
3	3580841	1	· Insert	
4	3580818	4	· O-ring	
5	3580842	1	· Cover	
6	959224	4	· Screw	
7	3580968	1	· Plate	
8	3580843	1	· Intermediate section	
9	963702	4	· Screw	
10	3580766	2	· Connector	
11	957184	2	· Washer	(6613687)
12	859675	2	Fitting	For extra alternator.