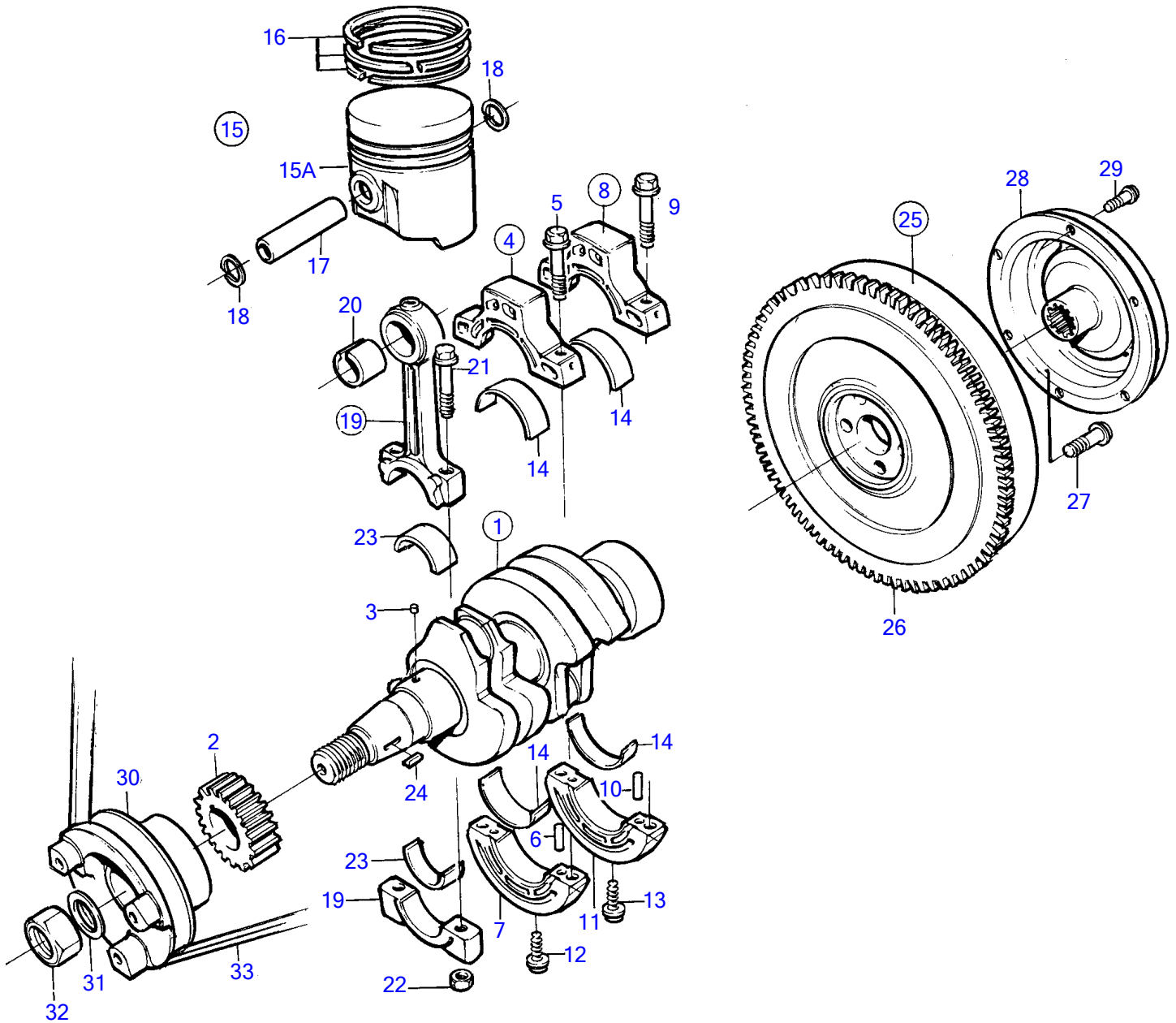


MD2010A



16203

MD2010A

REF	PART NO.	QTY	DESCRIPTION	SEE SEC.	NOTES
1	861932	1	Crankshaft		
2	(861933)	1	• Gear		Obsolete part
3	861934	1	• Key		
4		1	Retainer		
5	861936	2	• Screw		
6		2	• Pin		
7		1	• Retainer		
8		1	Retainer		
9	861936	2	• Screw		
10		2	• Pin		
11		1	• Retainer		
12	861952	1	Screw		
13	861953	2	Screw		
14	876657	1	Main bearing kit		Std D
	876658	1	Main bearing kit		U.S=0,25mm
	876659	1	Main bearing kit		U.S=0,50mm
15	876692	2	Piston kit		Std D
	876696	2	Piston kit		U.S=0,25mm
	876814	2	Piston kit		U.S=0,50mm
15A		2	• Piston kit		Std D
15		2	• Piston kit		O.S=0,25mm
		2	• Piston kit		O.S=0.50mm
16	861954	2	• • Piston ring kit		Std D
	861955	2	• • Piston ring kit		O.S=0,25mm
	861956	2	• • Piston ring kit		O.S=0.50mm
17	861960	2	• Piston pin		
18	861961	4	• Lock ring		
19	861962	2	Connecting rod		
20	861963	2	• Bushing		
21	861964	4	• Screw		
22	861965	4	• Nut		
23	876669	1	Big-end bearing kit		Std D
	876670	1	Big-end bearing kit		U.S=0,25mm
	876671	1	Big-end bearing kit		U.S=0,50mm
24	861969	1	Woodruff key		
25	861972	1	Flywheel		
26	861973	1	• Gear ring		
27	861974	4	Screw		
28	872809	1	Vibration damper		Use together with drive unit 120S and MS2L
29	861975	6	Screw		
30	861976	1	Pulley		
31	861978	1	Washer		
32	861977	1	Nut		
33		1	V-belt	198	