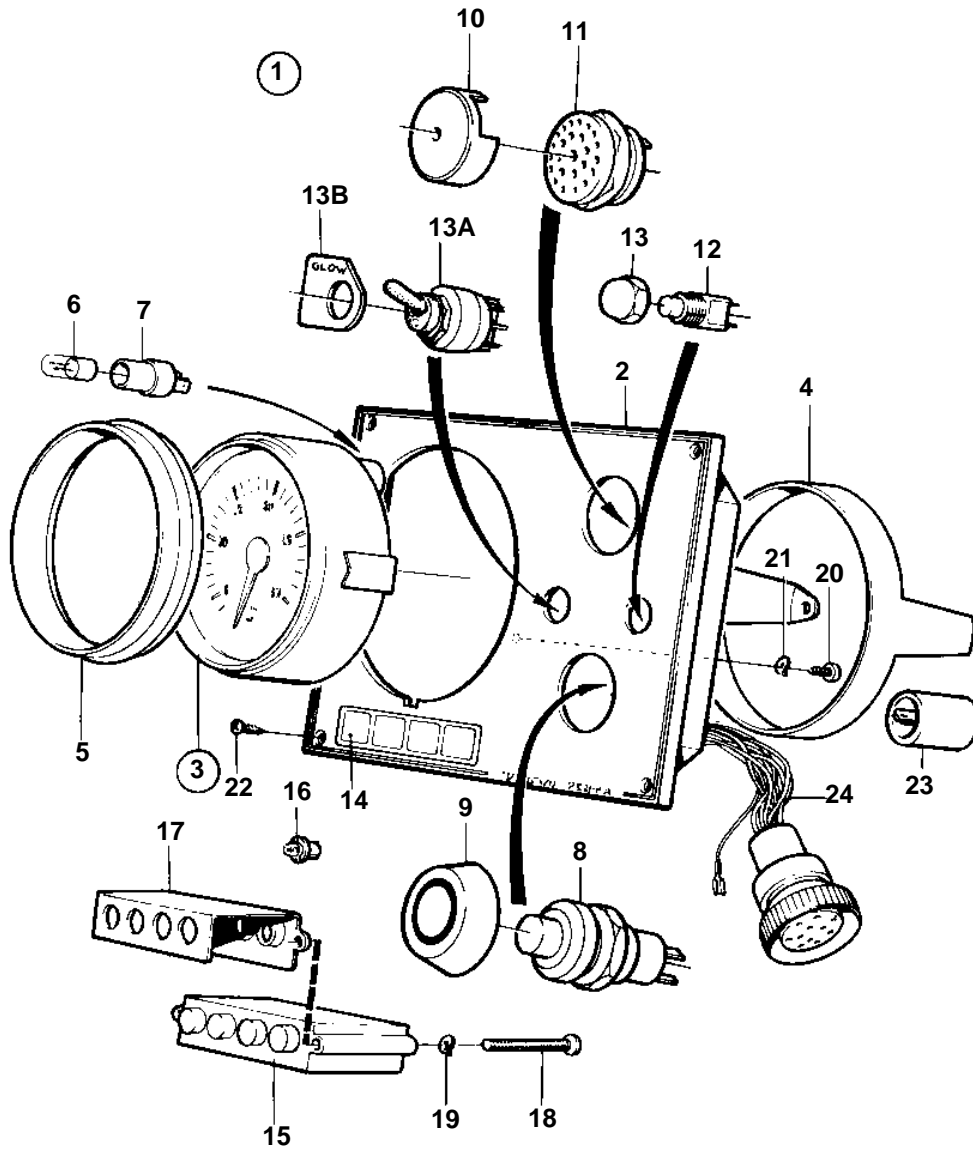


MD2020A, MD2030A, MD2040A



15074

MD2020A, MD2030A, MD2040A

REF	PART NO.	QTY	DESCRIPTION	SEE SEC.	NOTES
1	873137	1	Instrument panel		12V. Replaced by 1 ea instrument panel 873594 and 1 ea tachometer kit 876751.
2	872798	1	• Instrument panel		
3	872994	1	• Tachometer		Replaced by tachometer kit 876751, ring 873517 and bracket kit 873208.
4	828558	1	• • Attaching ring		
5	858644	1	• Front ring		
6	19923	1	• Bulb		
7	808175	1	• Bulb socket		
8	843684	1	• Button		
9	837533	1	• Rubber cap		
10	858795	1	• Protecting casing		
11	828587	1	• Buzzer		
12	828585	1	• Switch		
13	828586	1	• Nut		
13A	872800	1	• Switch		
13B	872771	1	• Decal		
14	858645	1	• Symbol strip		
15	873209	1	• Electronic unit		(828783)
16	19923	4	• Bulb		
17	828784	1	• Reflector		
18	941615	2	• Screw		
19	941904	2	• Spring washer		
20	949947	1	• Screw		
21	941904	1	• Spring washer		
22	828647	4	• Screw		
23	1624394	2	• Diode		
24		X	• Cables and terminals	124	