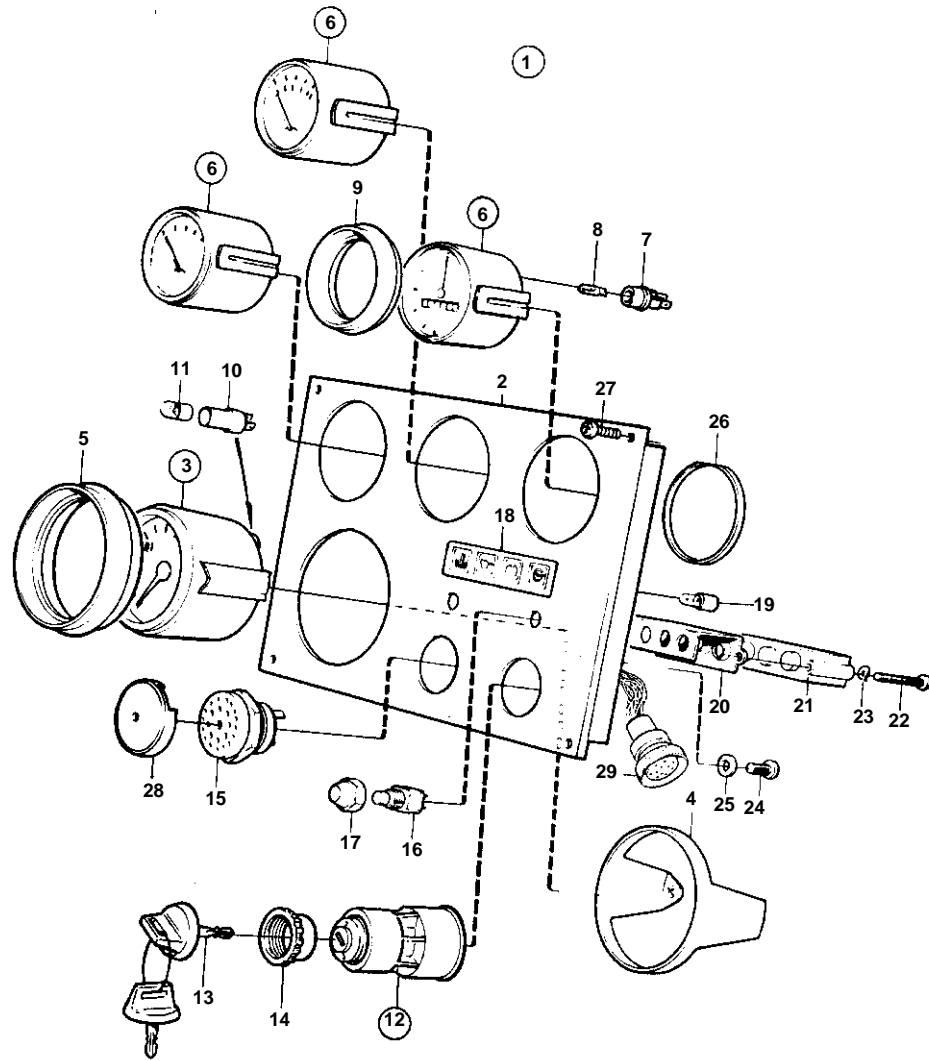


COMMON



9715

COMMON

REF	PART NO.	QTY	DESCRIPTION	SEE SEC.	NOTES
1	873138	1	Instrument panel		Replaced by instrument panel 873590, tachometer kit 876751 and sensor kit 873155.
2	863997	1	• Instrument panel		
3	872994	1	• Tachometer		Replaced by tachometer kit 876751, ring 873517 and bracket kit 873208.
4	828558	1	• • Attaching ring		
5	858644	1	• Front ring		
6	873195	1	• Temperature gauge		(863932)
	873197	1	• Oil pressure gauge		(863934)
	873199	1	• Voltmeter		(863930)
7	863945	3	• • Bulb socket		
8	863946	3	• • Bulb		
9	858643	3	• Front ring		
10	808175	1	• Bulb socket		
11	19923	1	• Bulb		
12	864277	1	• Starter switch		
13	859953	2	• • Key	SO	State key code when ordering.
			• • Bulletin 49-30	49-30-EN	Key P/N 859953
14	859955	1	• • Plastic nut		
15	828587	1	• Buzzer		
16	828584	1	• Switch		ALARM TEST
	828585	1	• Switch		INSTRUMENT ILLUMINATION
17	828586	2	• Nut		
18	858645	1	• Symbol strip		
19	19923	4	• Bulb		
20	828784	1	• Reflector		
21	873209	1	• Electronic unit		(828783)
22	941615	2	• Screw		
23	941904	2	• Spring washer		
24	949947	1	• Screw		
25	941904	1	• Spring washer		
26	828803	3	• Ring		
27	828647	4	• Screw		
28	858795	1	• Protecting casing		
29		X	• Cables and terminals	124	