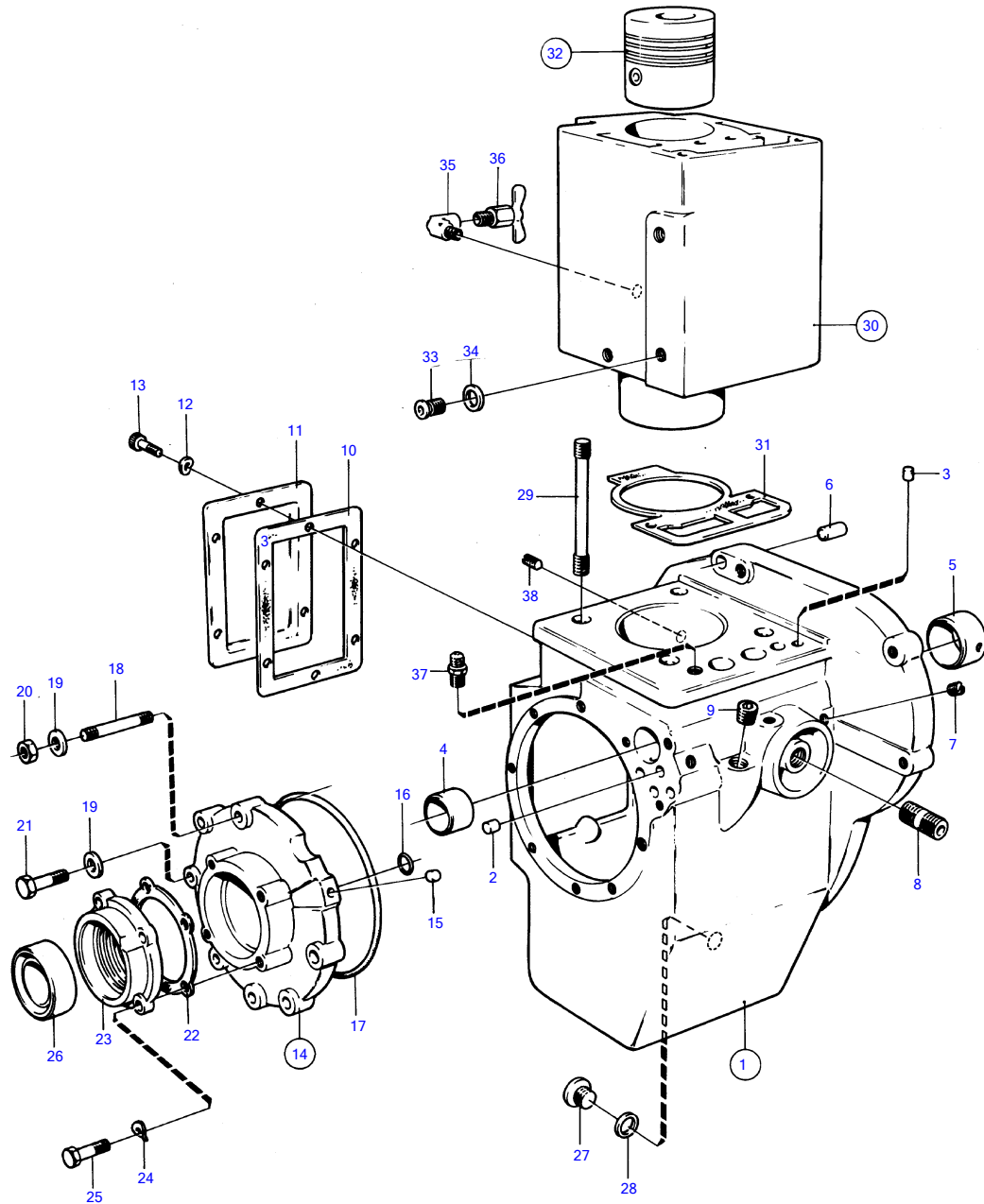


MD1B



5559

MD1B

REF	PART NO.	QTY	DESCRIPTION	SEE SEC.	NOTES
1	(833209)	1	Crankcase		Obsolete part
2	955075	2	• Plug		
3	(955073)	1	• Plug		Obsolete part
4	803330	1	• Camshaft bushing		
5	405177	1	• Bearing		
6	950586	2	Pin	13739	
7	(807045)	1	Plug		Obsolete part
8	(418440)	1	Nipple	13744	Obsolete part
9	(833282)	1	Plug	13744	Obsolete part
10	833792	1	Gasket		
11	(803258)	1	Inspection lid		Obsolete part
12	941907	6	Spring washer		
13	959219	6	Hex. socket screw		
14	(833390)	1	Bearing cover		Obsolete part
15	(955074)	1	• Plug		Obsolete part
16	946742	1	O-ring		
17	946743	1	O-ring		
18	944722	1	Stud		
19	946075	7	Washer		
20	963107	1	Lock nut		
21	955320	2	Hexagon screw		L=40mm
	955322	4	Hexagon screw, screw		L=50mm
				13748	
22	803359	1	Gasket		
23	(803236)	1	Cover		Obsolete part
24	941907	4	Spring washer		
25	955296	4	Hexagon screw		
26	803356	1	Sealing ring		
27	807044	1	Plug		MO-18685
	(833521)	1	Plug		MO 18686-, Obsolete part
28	957181	1	Gasket		MO 18686-
29	(897251)	4	Stud	13743	Obsolete part
30	(875513)	1	Cylinder block	13757	Obsolete part
31	833497	1	• Spacer		TH=0.2mm
	833498	1	• Spacer		TH=0.3mm
32		1	• piston kit		
			• •	13757	
33	(807125)	1	• Plug		Obsolete part
34	18811	1	• Gasket		
35	(807081)	1	Elbow nipple		Obsolete part
36	807036	1	Shut-off cock		
37	(807027)	1	Nipple	13744	Obsolete part
38	(807054)	1	Set screw		See group 2C, Obsolete part