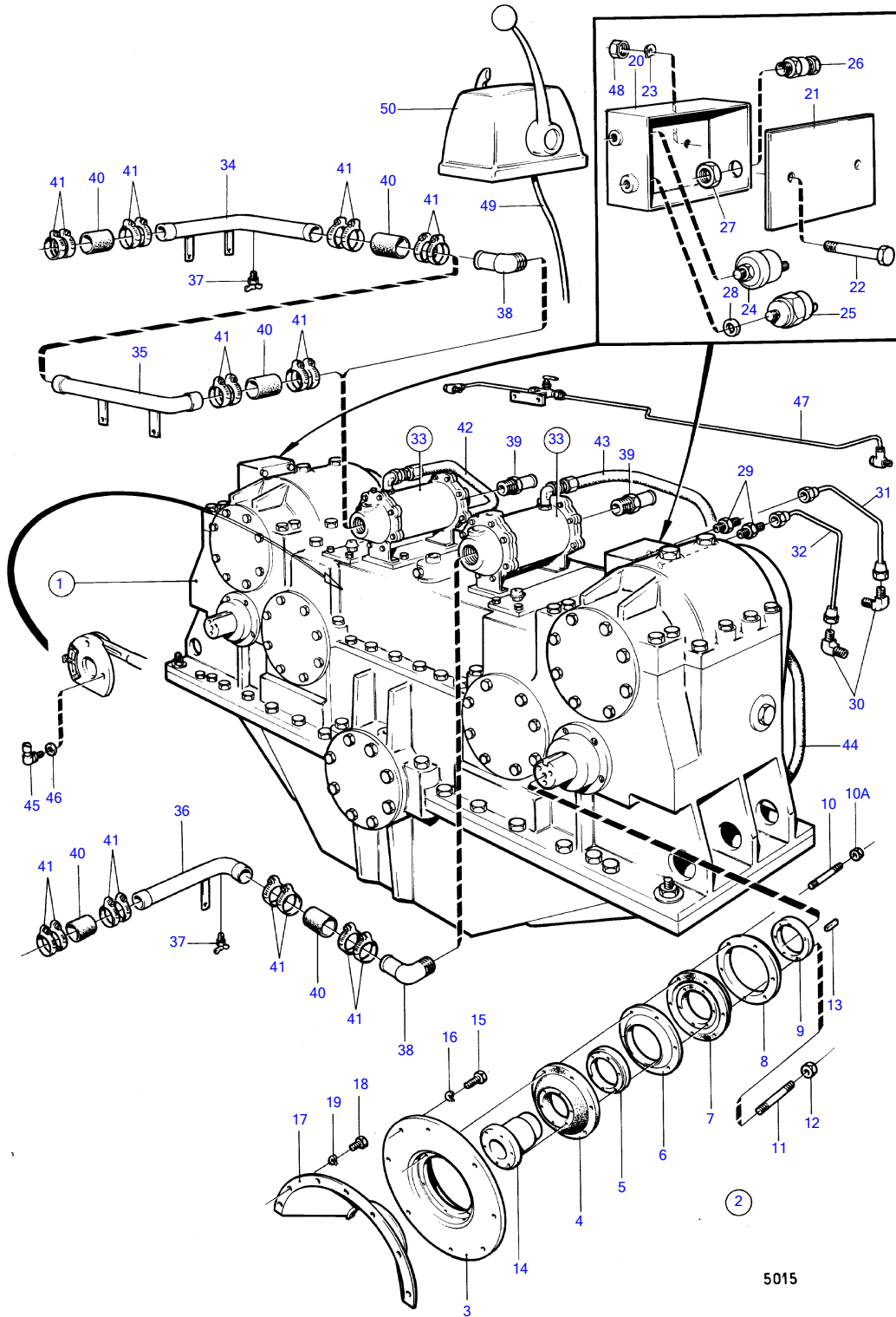


TMD120A



TMD120A

REF	PART NO.	QTY	DESCRIPTION	NOTES
1		1	twin reverse gear	Ratio 5:1
		1	twin reverse gear	Ratio 3,2:1
2	(842776)	2	Clutch	Obsolete part
3		2	• fixing plate	
4	(843614)	1	• Rubber element	Obsolete part
5	(843622)	2	• Intermediate ring	Obsolete part
6	(843621)	2	• Intermediate ring	Obsolete part
7	(843614)	1	• Rubber element	Obsolete part
8	(843618)	2	• Support ring	Obsolete part
9	(843615)	2	• Support ring	Obsolete part
10	(843616)	16	• Stud	Obsolete part
10A	955783	16	• Hexagon nut	(843617)
11	843619	12	• Stud	
12	955782	12	• Hexagon nut	(843620)
13	(843623)	2	• Key	Obsolete part
14		2	• hub	
15	955561	16	Hexagon screw	
16	940280	16	Spring washer	
17	(842849)	2	Protecting casing	Obsolete part
18	955548	16	Hexagon screw	
19	941909	16	Spring washer	
20	(843224)	2	Box	Obsolete part
21	843225	2	Cardboard tube	
22	(963205)	4	Hexagon screw	Obsolete part
23	941906	4	Spring washer	
24	837781	2	Oil pressure sensor	
25	(843147)	2	Pressure monitor	Obsolete part
26	881192	2	Grommet	
27	880243	2	Nut	
28	957175	2	Gasket	
29	954335	4	Nipple	
30	954342	4	Elbow nipple	
31	(843244)	2	Tube	Obsolete part
32	(843245)	2	Tube	Obsolete part
33	(837100)	2	Oil cooler	Obsolete part
	837099	2	Oil cooler	Replaced by 1ea 875673 1ea 851265 1ea 851263 2ea 941807.
34	(843252)	1	Coolant pipe	Obsolete part
	(843254)	1	Coolant pipe	Replaced by 1ea 875673 1ea 851265 1ea 851263 2ea 941807., Obsolete part
36	(843253)	1	Coolant pipe	Obsolete part
	(843255)	1	Coolant pipe	Replaced by 1ea 875673 1ea 851265 1ea 851263 2ea 941807., Obsolete part
37	949918	2	Shut-off cock	(82745)
38	(898683)	2	Hose attachment	Obsolete part
39	942315	2	Hose nipple	
40	952976	X	Rubber hose	L=110mm
	952980	X	Hose	Replaced by 1ea 875673 1ea 851265 1ea 851263 2ea 941807., L=110mm
41	943477	X	Hose clamp	(951793)
	943480	X	Hose clamp	Replaced by 1ea 875673 1ea 851265 1ea 851263 2ea 941807.
42	(844070)	2	Hose	Obsolete part
43	(844069)	2	Hose	Obsolete part
44	(844068)	2	Hose	Obsolete part
45	842782	2	Ball joint	
46	955892	2	Washer	
47	(843227)	1	Start device	Obsolete part
48	955781	4	Hexagon nut	