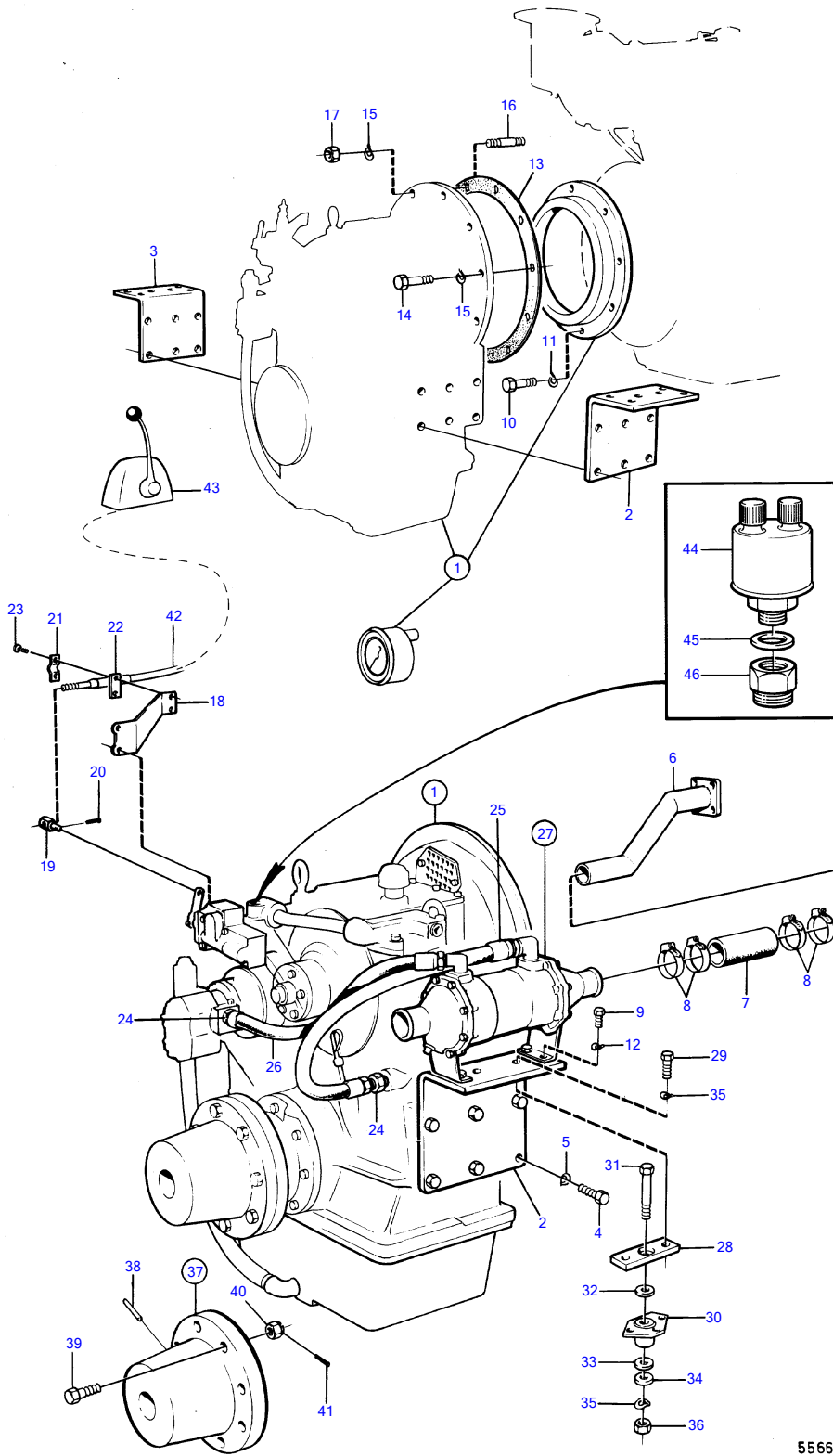


TMD120B



5566

TMD120B

REF	PART NO.	QTY	DESCRIPTION	SEE SEC.	NOTES
1		1	rev. gear, ratio 1,5:1		MG514
		1	rev. gear, ratio 2:1		MG514
		1	rev. gear, ratio 3:1		MG514
		1	rev. gear, ratio 3,5:1		MG514
		1	rev. gear, ratio 4,1:1		MG514
		1	rev. gear, ratio 4,5:1		MG514
		1	rev. gear, ratio 5,16:1		MG514
		1	rev. gear, ratio 6:1		MG514
			* components		
2	(824311)	1	Bracket		Replaced by 831175 + 17276 + 804312 + 819067 + 819068 + 940191 + 2ea 950021., Obsolete part
	(837088)	1	Bracket		When exchanging reverse gear MS3B to MS3C., Obsolete part
3	(836123)	1	Bracket		Replaced by 831175 + 17276 + 804312 + 819067 + 819068 + 940191 + 2ea 950021., Obsolete part
	(837068)	1	Bracket		When exchanging reverse gear MS3B to MS3C., Obsolete part
4	(955601)	12	Hexagon screw		Replaced by 831175 + 17276 + 804312 + 819067 + 819068 + 940191 + 2ea 950021., Obsolete part
	(955601)	8	Hexagon screw		When exchanging reverse gear MS3B to MS3C., Obsolete part
5	941913	12	Spring washer		Replaced by 831175 + 17276 + 804312 + 819067 + 819068 + 940191 + 2ea 950021.
	941913	8	Spring washer		When exchanging reverse gear MS3B to MS3C.
6	846330	1	Tube		See group 2B
7	943372	X	Rubber hose		L=190mm see group 2B
8	943480	4	Hose clamp		See group 2B
9	940098	4	Hexagon screw		
10	955561	8	Hexagon screw		
11	940280	8	Spring washer		
12	942336	4	Spring washer		
13	800314	1	Gasket		
14	940134	10	Hexagon screw		
15	941909	12	Spring washer		
16	(953290)	2	Stud		Obsolete part
17	940157	2	Hexagon nut		
18	(836117)	1	Bracket		Obsolete part
19	(813674)	1	Cube		Obsolete part
20	907824	1	Split pin		
21	21471054	1	Bracket		
22	819068	1	Washer		
23	950021	2	Cross recessed screw		
24	949707	2	Reduction nipple		
25	824487	1	Oil hose		
26	836476	1	Hose		
27	837099	1	Oil cooler		
			*	14618	
28	(824374)	2	Intermediate plate		Obsolete part
29	955589	4	Hexagon screw		
30	836961	2	Rubber cushion		
31	959827	2	Hexagon screw		
32	836325	2	Washer		
33	836963	2	Rubber washer		
34	836962	2	Stop washer		
35	941912	6	Spring washer		
36	955829	2	Hexagon nut		
37	837093	1	Clutch flange		When exchanging reverse gear MS3B to MS3C., 1" hole for propeller shaft.
38	(907661)	2	Taper pin		Obsolete part
39	(955772)	8	Screw		Obsolete part
40	(955889)	8	Castle nut		Obsolete part
41	907881	8	Split pin		
42			control cable		See group 9
43			control		See group 9
44	837781	1	Oil pressure sensor		See group 3
45	947624	1	Gasket		

7742190-44-14612

5566

Upd:2011-08-15

TMD120B

REF	PART NO.	QTY	DESCRIPTION	SEE SEC.	NOTES
46	180161	1	Nipple		

7742190-44-14612

5566

Upd:2011-08-15

MD120A, MD120AK, TMD120A, TMD120AK, TAMD120A, TAMD120AK, TMD120B, TAMD120B, TAMD120B-CC

**VOLVO
PENTA**