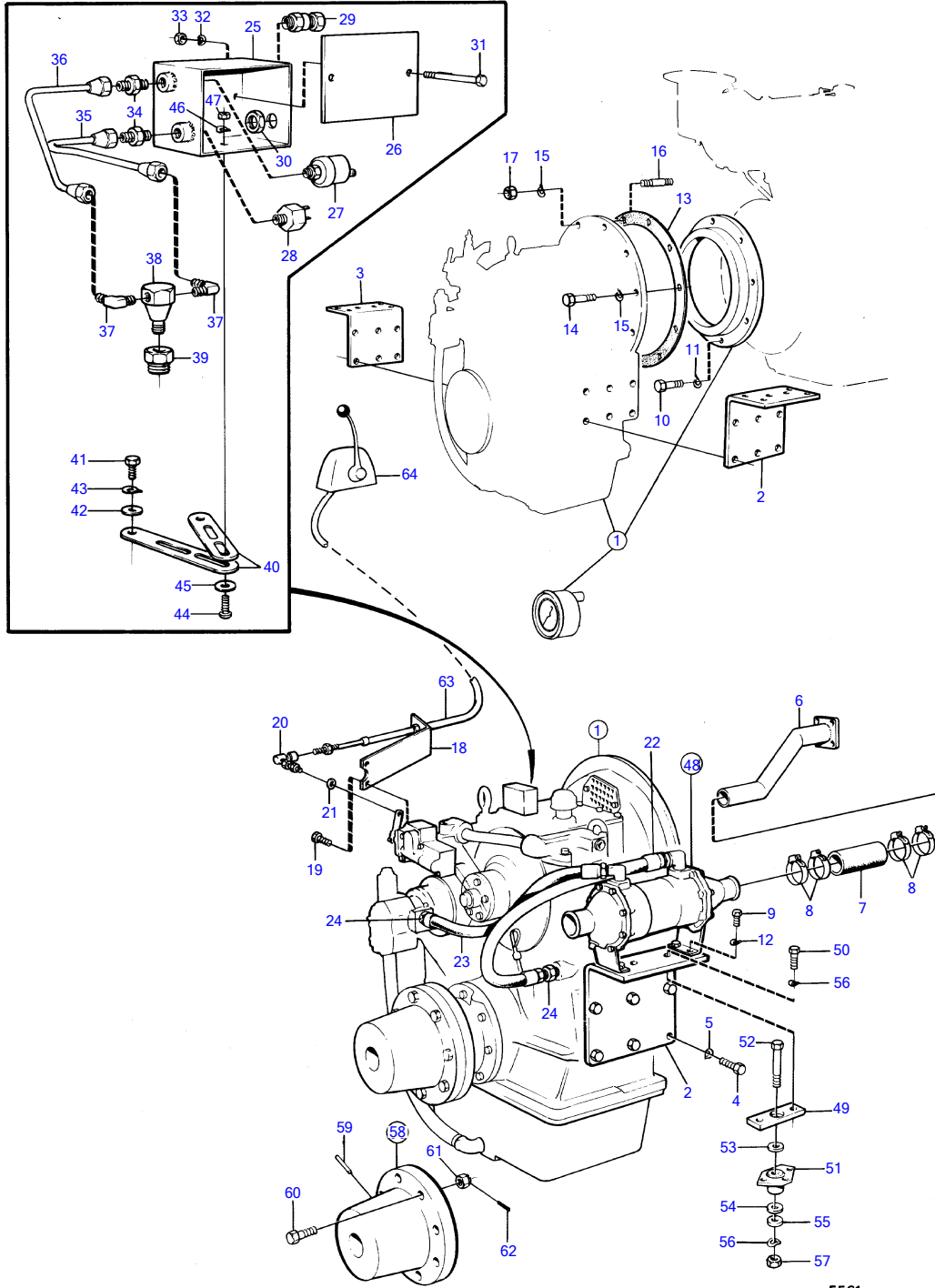


TMD120B



TMD120B

REF	PART NO.	QTY	DESCRIPTION	SEE SEC.	NOTES
1		1	rev. gear, ratio 1,5:1		MG514
		1	rev. gear, ratio 2:1		MG514
		1	rev. gear, ratio 3:1		MG514
		1	rev. gear, ratio 3,5:1		MG514
		1	rev. gear, ratio 4,1:1		MG514
		1	rev. gear, ratio 4,5:1		MG514
		1	rev. gear, ratio 5,16:1		MG514
		1	rev. gear, ratio 6:1		MG514
			• components		
2	(824311)	1	Bracket		Replaced by 831175 + 17276 + 804312 + 819067 + 819068 + 940191 + 2ea 950021., Obsolete part
	(837088)	1	Bracket		When exchanging reverse gear MS3B to MS3C., Obsolete part
3	(836123)	1	Bracket		Replaced by 831175 + 17276 + 804312 + 819067 + 819068 + 940191 + 2ea 950021., Obsolete part
	(837068)	1	Bracket		When exchanging reverse gear MS3B to MS3C., Obsolete part
4	(955601)	12	Hexagon screw		Replaced by 831175 + 17276 + 804312 + 819067 + 819068 + 940191 + 2ea 950021., Obsolete part
	(955601)	8	Hexagon screw		When exchanging reverse gear MS3B to MS3C., Obsolete part
5	941913	12	Spring washer		Replaced by 831175 + 17276 + 804312 + 819067 + 819068 + 940191 + 2ea 950021.
	941913	8	Spring washer		When exchanging reverse gear MS3B to MS3C.
6	846330	1	Tube		See group 2B
7	943372	X	Rubber hose		L=190mm see group 2B
8	943480	4	Hose clamp		See group 2B
9	940098	4	Hexagon screw		
10	955561	8	Hexagon screw		
11	940280	8	Spring washer		
12	942336	4	Spring washer		
13	800314	1	Gasket		
14	940134	10	Hexagon screw		
15	941909	12	Spring washer		
16	(953290)	2	Stud		Obsolete part
17	940157	2	Hexagon nut		
18	(845508)	1	Control attachment		Obsolete part
19	940159	2	Hexagon screw		
20	842782	1	Ball joint		
21	955892	1	Washer		
22	824487	1	Oil hose		
23	836476	1	Hose		
24	949707	2	Reduction nipple		
25	(843224)	1	Box		Obsolete part
26	843225	1	Cardboard tube		
27	837781	1	Oil pressure sensor		See group 3
28	843813	1	Switch		Alarm
29	881192	1	Grommet		
30	880243	1	Nut		
31	(963205)	2	Hexagon screw		Obsolete part
32	941906	2	Spring washer		
33	955781	2	Hexagon nut		
34	954335	1	Nipple		
35	(845645)	1	Tube		Obsolete part
36	(844264)	1	Oil pipe		Obsolete part
37	954342	3	Elbow nipple		
38	942490	1	T-nipple		
39	942919	1	Reduction nipple		
40	965541	4	Bracket		
41	955535	2	Hexagon screw		
42	940097	2	Washer		
43	942336	2	Spring washer		
44	955272	2	Hexagon screw		
45	960139	4	Washer		
46	941906	2	Spring washer		
47	955781	2	Hexagon nut		

7742190-44-14614

5561

Upd:2011-08-15

TMD120B

REF	PART NO.	QTY	DESCRIPTION	SEE SEC.	NOTES
48	837099	1	Oil cooler		
			.	14618	
49	(824374)	2	Intermediate plate		Obsolete part
50	955589	4	Hexagon screw		
51	836961	2	Rubber cushion		
52	959827	2	Hexagon screw		
53	836325	2	Washer		
54	836963	2	Rubber washer		
55	836962	2	Stop washer		
56	941912	6	Spring washer		
57	955829	2	Hexagon nut		
58	837093	1	Clutch flange		When exchanging reverse gear MS3B to MS3C., 1" hole for propeller shaft.
59	(907661)	2	Taper pin		Obsolete part
60	(955772)	8	Screw		Obsolete part
61	(955889)	8	Castle nut		Obsolete part
62	907881	8	Split pin		(907877)
63	(842820)	1	Control		Obsolete part
64			control		See group 9