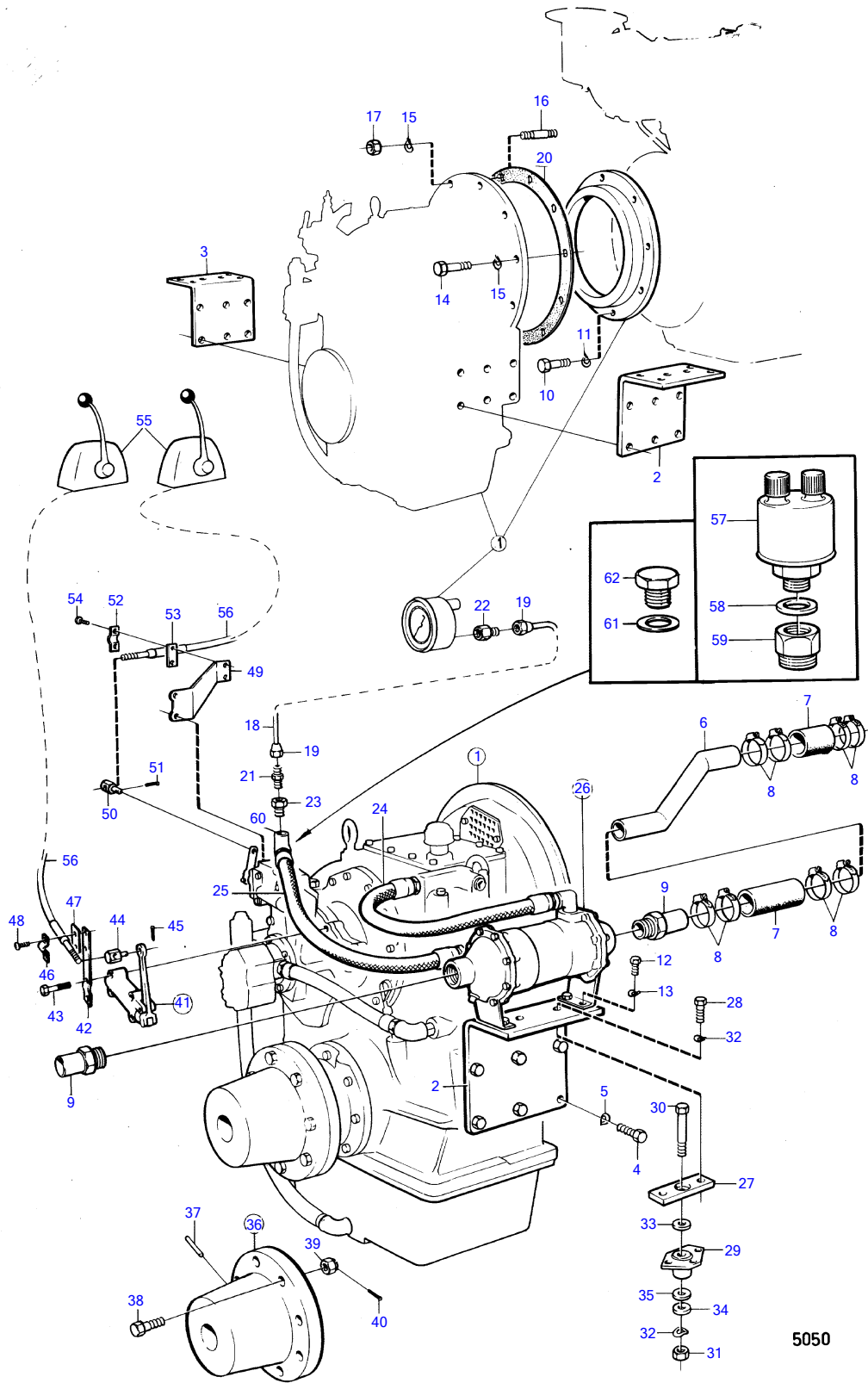


TAMD120A



5050

TAMD120A

REF	PART NO.	QTY	DESCRIPTION	NOTES
1		1	rev. gear, ratio 1,5:1	Replaced by hydraulic pump 852500 + bracket 852568 + 4ea screw 950161 + 4ea plate 955826., MG514
		1	rev. gear, ratio 2:1	Replaced by hydraulic pump 852500 + bracket 852568 + 4ea screw 950161 + 4ea plate 955826., MG514
		1	rev. gear, ratio 3:1	Replaced by hydraulic pump 852500 + bracket 852568 + 4ea screw 950161 + 4ea plate 955826., MG514
		1	rev. gear, ratio 3,5:1	Replaced by hydraulic pump 852500 + bracket 852568 + 4ea screw 950161 + 4ea plate 955826., MG514
		1	rev. gear, RATIO4,13:1	Replaced by hydraulic pump 852500 + bracket 852568 + 4ea screw 950161 + 4ea plate 955826., MG514
		1	rev. gear, ratio 4,5:1	Replaced by hydraulic pump 852500 + bracket 852568 + 4ea screw 950161 + 4ea plate 955826., MG514
		1	rev. gear, RATIO5,16:1	Replaced by hydraulic pump 852500 + bracket 852568 + 4ea screw 950161 + 4ea plate 955826., MG514
		1	rev. gear, RATIO5,16:1	Replaced by hydraulic pump 852500 + bracket 852568 + 4ea screw 950161 + 4ea plate 955826., MG514 class DNV
		1	rev. gear, ratio 6:1	Replaced by hydraulic pump 852500 + bracket 852568 + 4ea screw 950161 + 4ea plate 955826., MG514 class DNV
		1	rev. gear, ratio 6:1	Replaced by hydraulic pump 852500 + bracket 852568 + 4ea screw 950161 + 4ea plate 955826., MG514
2	(824311)	1	Bracket	Obsolete part
	(837088)	1	Bracket	Replaced by bracket 852568 + 4ea screw 950161 + 4ea plate 955826., Obsolete part
3	(836123)	1	Bracket	Obsolete part
	(837068)	1	Bracket	Replaced by bracket 852568 + 4ea screw 950161 + 4ea plate 955826., Obsolete part
4	(955601)	12	Hexagon screw	Obsolete part
5	941914	12	Spring washer	Obsolete part
6	(836890)	1	Coolant pipe	See group 2B, Obsolete part
7	943372	X	Rubber hose	L=110mm see group 2B
8	943479	8	Hose clamp	(951795) see group 2B
10	955561	8	Hexagon screw	
11	940280	8	Spring washer	
12	940098	4	Hexagon screw	
13	942336	4	Spring washer	
14	940134	10	Hexagon screw	
15	941909	12	Spring washer	
16	(953290)	2	Stud	Obsolete part
17	940157	2	Hexagon nut	
18	(954303)	X	Tube	L=5000mm, Obsolete part
19	954320	2	Fitting nut	
20	800314	1	Gasket	
21	(954334)	1	Nipple	Obsolete part
22	(836064)	1	Nipple	Obsolete part
23	836192	1	Nipple	
24	824487	1	Oil hose	
25	836476	1	Hose	
26	837099	1	Oil cooler	
27	(824374)	2	Intermediate plate	Obsolete part
28	955589	4	Hexagon screw	
29	836961	2	Rubber cushion	
30	959827	2	Hexagon screw	
31	955829	2	Hexagon nut	
32	941912	6	Spring washer	
33	836325	2	Washer	
34	836962	2	Stop washer	
35	836963	2	Rubber washer	
36	837093	1	Clutch flange	Spec 867001,-002,-140,-141., 1" hole for propeller shaft.
37	(907661)	2	Taper pin	Obsolete part
38	(955772)	8	Screw	Obsolete part
39	(955889)	8	Castle nut	Obsolete part
40	907881	8	Split pin	(907877)
41	(836141)	1	Valve	Twin Disc XA 6575 B, Obsolete part
42	(836139)	1	Bracket	Obsolete part

7742190-44-14608B

5050

Upd:2011-08-15

TAMD120A

REF	PART NO.	QTY	DESCRIPTION	NOTES
43	955538	2	Hexagon screw	
44	814082	1	Cube	
45	907824	1	Split pin	
46	21471054	1	Bracket	
47	819068	1	Washer	
48	950021	2	Cross recessed screw	
49	(836117)	1	Bracket	Obsolete part
50	(813674)	1	Cube	Obsolete part
51	907824	1	Split pin	
52	21471054	1	Bracket	
53	819068	1	Washer	
54	950021	2	Cross recessed screw	
57	837781	1	Oil pressure sensor	See group 3
58	957181	1	Gasket	See group 3
59	(843706)	1	Nipple	Obsolete part
60	(844795)	1	Elbow nipple	Obsolete part
61	947624	1	Gasket	
62	960632	1	Plug	