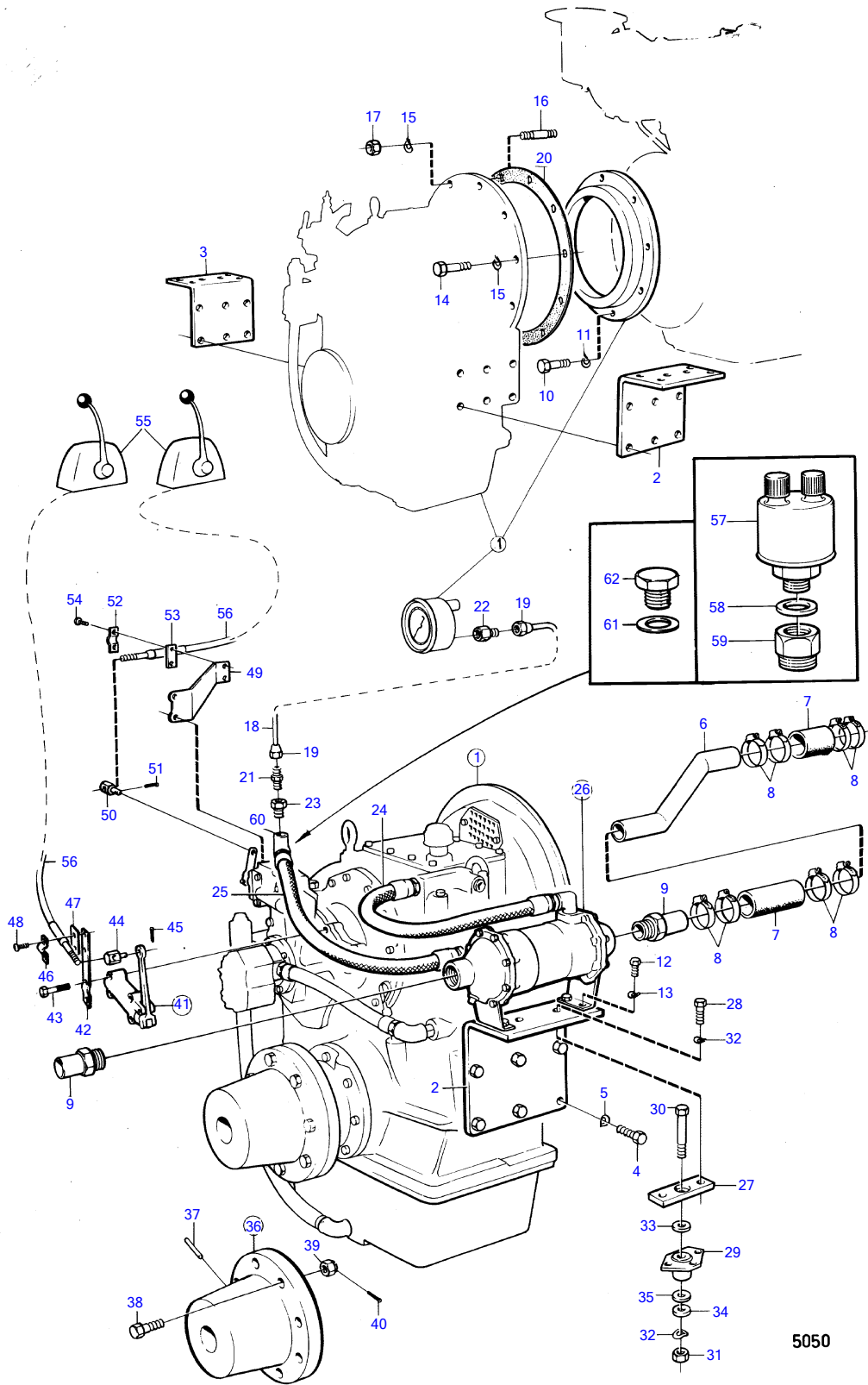


TMD120A



TMD120A

REF	PART NO.	QTY	DESCRIPTION	SEE SEC.	NOTES
1		1	rev. gear, ratio 1,5:1		Replaced by flywheel cover 841963 + grease nipple 914167, MG514 MO-XXXX/42849
		1	rev. gear, ratio 2:1		Replaced by flywheel cover 841963 + grease nipple 914167, MG514 MO-XXXX/42849
		1	rev. gear, ratio 3:1		Replaced by flywheel cover 841963 + grease nipple 914167, MG514 MO-XXXX/42849
		1	rev. gear, ratio 3,5:1		Replaced by flywheel cover 841963 + grease nipple 914167, MG514 MO-XXXX/42849
		1	rev. gear, RATIO4,13:1		Replaced by flywheel cover 841963 + grease nipple 914167, MG514 MO-XXXX/42849
		1	rev. gear, ratio 4,5:1		Replaced by flywheel cover 841963 + grease nipple 914167, MG514 MO-XXXX/42849
		1	rev. gear, RATIO5,16:1		Replaced by flywheel cover 841963 + grease nipple 914167, MG514 MO-XXXX/42849
		1	rev. gear, RATIO5,16:1		Replaced by flywheel cover 841963 + grease nipple 914167, MG514 class DNV MO-XXXX/42849
		1	rev. gear, ratio 6:1		Replaced by flywheel cover 841963 + grease nipple 914167, MG514 class DNV MO-XXXX/42849
		1	rev. gear, ratio 6:1		Replaced by flywheel cover 841963 + grease nipple 914167, MG514 MO-XXXX/42849
			• components		
2	(824311)	1	Bracket		Obsolete part
	(837088)	1	Bracket		Replaced by bracket 852568 + 4ea screw 950161 + 4ea plate 955826., Obsolete part
3	(836123)	1	Bracket		Obsolete part
	(837068)	1	Bracket		Replaced by bracket 852568 + 4ea screw 950161 + 4ea plate 955826., Obsolete part
4	(955601)	12	Hexagon screw		Obsolete part
5	941914	12	Spring washer		Obsolete part
6	(836114)	1	Tube		Obsolete part
7	943370	X	Rubber hose		L=95mm
8	943478	8	Hose clamp		(951794)
9	942315	2	Hose nipple		
10	955561	8	Hexagon screw		
11	940280	8	Spring washer		
12	940098	4	Hexagon screw		
13	942336	4	Spring washer		
14	940134	10	Hexagon screw		
15	941909	12	Spring washer		
16	(953290)	2	Stud		Obsolete part
17	940157	2	Hexagon nut		
18	(954303)	X	Tube		L=5000mm, Obsolete part
19	954320	2	Fitting nut		
20	800314	1	Gasket		
21	(954334)	1	Nipple		Obsolete part
22	(836064)	1	Nipple		Obsolete part
23	836192	1	Nipple		
24	824487	1	Oil hose		
25	836476	1	Hose		
26	(837100)	1	Oil cooler		Obsolete part
			•	14618	
			•	14618	
27	(824374)	2	Intermediate plate		Obsolete part
28	955589	4	Hexagon screw		
29	836961	2	Rubber cushion		
30	959827	2	Hexagon screw		
31	955829	2	Hexagon nut		
32	941912	6	Spring washer		
33	836325	2	Washer		
34	836962	2	Stop washer		
35	836963	2	Rubber washer		
36	837093	1	Clutch flange		Spec 867001,-002,-140,-141., 1" hole for propeller shaft.

7742190-44-14608

5050

Upd:2011-08-15

TMD120A

REF	PART NO.	QTY	DESCRIPTION	SEE SEC.	NOTES
37	(907661)	2	Taper pin		Obsolete part
38	(955772)	8	Screw		Obsolete part
39	(955889)	8	Castle nut		Obsolete part
40	907881	8	Split pin		(907877)
41	(836141)	1	Valve		Twin Disc XA 6575 B, Obsolete part
			• components		
42	(836139)	1	Bracket		Obsolete part
43	955538	2	Hexagon screw		
44	814082	1	Cube		
45	907824	1	Split pin		
46	21471054	1	Bracket		
47	819068	1	Washer		
48	950021	2	Cross recessed screw		
49	(836117)	1	Bracket		Obsolete part
50	(813674)	1	Cube		Obsolete part
51	907824	1	Split pin		
52	21471054	1	Bracket		
53	819068	1	Washer		
54	950021	2	Cross recessed screw		
55			control		See group 9
56			control cable		See group 9
57	837781	1	Oil pressure sensor		See group 3
58	957181	1	Gasket		See group 3
59	(843706)	1	Nipple		Obsolete part
60	(844795)	1	Elbow nipple		Obsolete part
61	947624	1	Gasket		
62	960632	1	Plug		