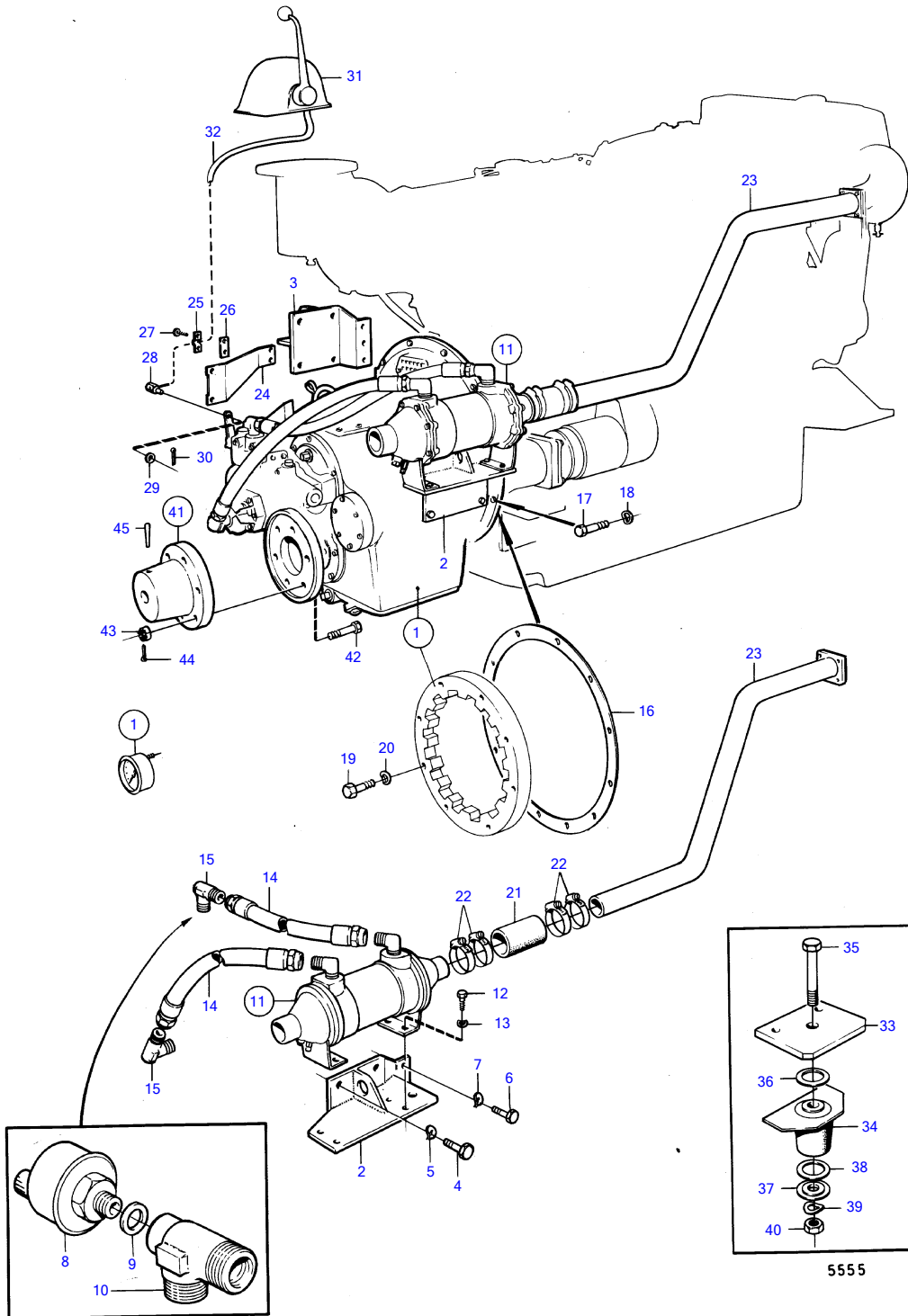


TMD120B



TMD120B

REF	PART NO.	QTY	DESCRIPTION	SEE SEC.	NOTES
1		1	rev. gear, ratio 1,5:1		MG510
		1	rev. gear, ratio 2:1		MG510
		1	rev. gear, ratio 2,5:1		MG510
			• components		
2	(844774)	1	Bracket		Obsolete part
3	(844775)	1	Bracket		Obsolete part
4	955590	8	Hexagon screw		
5	941912	8	Spring washer		
6	955561	6	Hexagon screw		
7	940280	6	Spring washer		
8	837781	1	Oil pressure sensor		See group 3
9	947624	1	Gasket		See group 3
10	842717	1	Elbow union		
11	837099	1	Oil cooler		
			•	14618	
12	940098	4	Hexagon screw		
13	942336	4	Spring washer		
14	(837119)	1	Hose		L=600mm, Obsolete part
	837095	1	Oil hose		L=695mm
15	837063	1	Elbow union		
16	800314	1	Gasket		
17	940134	12	Hexagon screw		
18	941909	12	Spring washer		
19	955561	8	Hexagon screw		
20	940280	8	Spring washer		
21	943372	X	Rubber hose		L=190mm
22	943480	4	Hose clamp		
23	846330	1	Tube		See group 2B
24	(836117)	1	Bracket		Obsolete part
25	21471054	1	Bracket		
26	819068	1	Washer		
27	950021	2	Cross recessed screw		
28	(813674)	1	Cube		Obsolete part
29	940191	1	Washer		
30	907824	1	Split pin		
31			control		See group 9
32			control cable		See group 9
33	(824374)	2	Intermediate plate		Obsolete part
34	836961	6	Rubber cushion		
35		6			
36	836325	6	Washer		
37	836962	6	Stop washer		
38	836963	6	Rubber washer		
39	941912	6	Spring washer		
40	955829	6	Hexagon nut		
41	844765	1	Clutch flange		
42	(955763)	8	Hexagon screw		Obsolete part
43	(955888)	8	Castle nut		Obsolete part
44	907861	8	Split pin		
45		2			