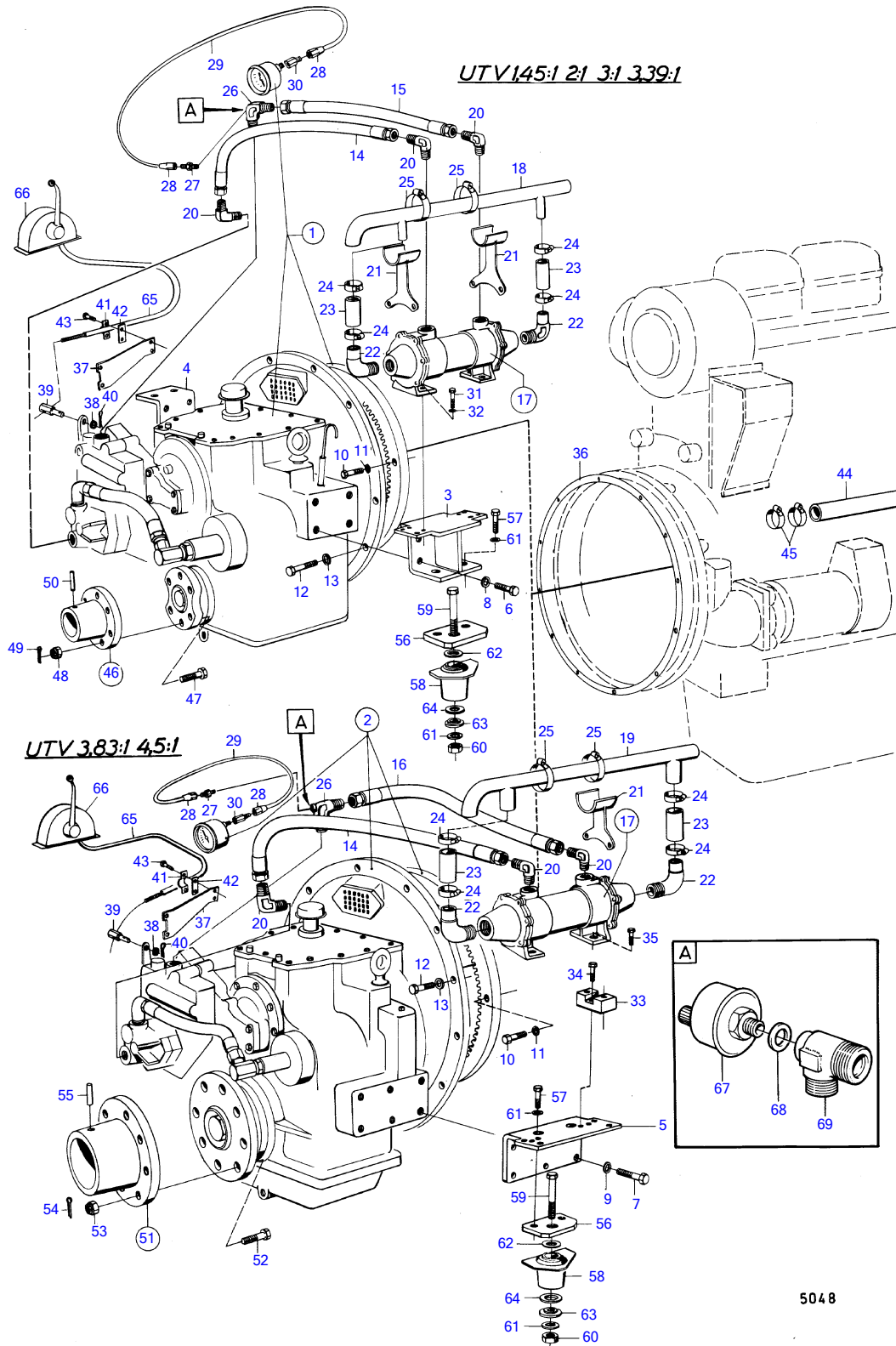


TMD120A



## TMD120A

REF	PART NO.	QTY	DESCRIPTION	NOTES
1		1	rev. gear, ratio 1,45:1	MG509, spec 9925
		1	rev. gear, ratio 2:1	MG509, spec 9923, 9925
		1	rev. gear, ratio 3:1	MG509, spec 9923, 9925
		1	rev. gear, ratio 3:1	MG509
		1	rev. gear, ratio 3:1	MG509, class DNV
3	(837062)	1	Bracket	Obsolete part
4	(837060)	1	Bracket	Obsolete part
6	955561	8	Hexagon screw	
8	940280	8	Spring washer	
10	955561	8	Hexagon screw	
11	940280	8	Spring washer	
12	940134	12	Hexagon screw	
13	941909	12	Spring washer	
14	(837096)	1	Lube oil hose	L=680mm, Obsolete part
15	(837120)	1	Lube oil hose	L=575mm, Obsolete part
17	837083	1	Oil cooler	
18	(837084)	1	Coolant pipe	Obsolete part
20	837063	3	Elbow union	
21	(837075)	2	Bracket	Obsolete part
22	(898683)	2	Hose attachment	Obsolete part
23	943370	X	Rubber hose	L=70mm (952977)
24	943478	4	Hose clamp	(951794)
25	943476	2	Hose clamp	(951792)
26	(837064)	1	Elbow union	Obsolete part
27	(954334)	1	Nipple	Obsolete part
28	954320	2	Fitting nut	
29	(954303)	X	Tube	L=5000mm, Obsolete part
30	(836064)	1	Nipple	Obsolete part
31	940113	4	Hexagon screw	
32	941907	4	Spring washer	
36	800314	1	Gasket	
37	(836117)	1	Bracket	Obsolete part
38	940191	1	Washer	
39	(813674)	1	Cube	Obsolete part
40	907824	1	Split pin	
41	21471054	1	Bracket	
42	819068	1	Washer	
43	950021	2	Cross recessed screw	
44	952977	X	Radiator hose	L=140mm
45	943478	8	Hose clamp	(951794)
46	(837055)	1	Clutch flange	For transport., l.d=30mm, Obsolete part
47	(955750)	6	Hexagon screw	Obsolete part
48	955887	6	Castle nut	
49	907861	6	Split pin	
50	17178	2	Taper pin	
56	(824374)	2	Intermediate plate	Obsolete part
57	955589	4	Hexagon screw	
58	836961	2	Rubber cushion	
59	959827	2	Hexagon screw	
60	955829	2	Hexagon nut	
61	941912	6	Spring washer	
62	836325	2	Washer	
63	836962	2	Stop washer	
64	836963	2	Rubber washer	
67	837781	1	Oil pressure sensor	See group 3
68	957181	1	Gasket	See group 3
69	842717	1	Elbow union	