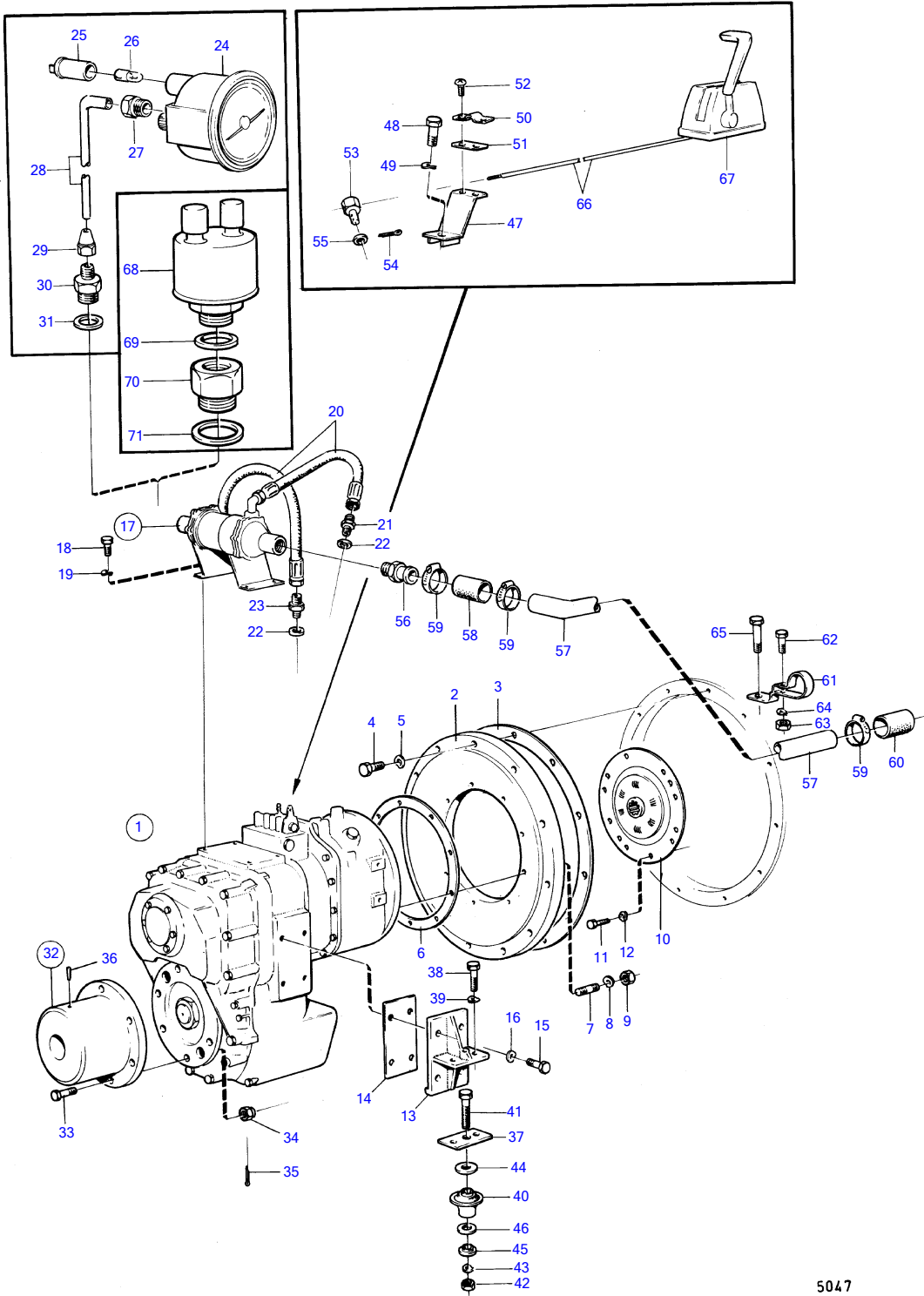


TAMD120A



5047

## TAMD120A

REF	PART NO.	QTY	DESCRIPTION	NOTES
1		1	rev. gear, ratio 2:1	Spec 9925, 867112
		1	rev. gear, ratio 2:1	Drilled 30mm., Spec 9925, 867112
		1	rev. gear, ratio 3:1	Spec 9925, 867112
		1	rev. gear, ratio 3:1	Drilled 30mm., Spec 9925, 867112
		1	rev. gear, ratio 4:1	Spec 9925, 867112
		1	rev. gear, ratio 4:1	Drilled 30mm., Spec 9925, 867112
		1	rev. gear, ratio 4,78:1	Spec 9925, 867112
		1	rev. gear, ratio 4,78:1	Drilled 30mm., Spec.9925
		1	rev. gear, ratio 4,78:1	For reverse gear 829458., Spec 9925, 867112
		1	rev. gear, ratio 4,78:1	Drilled 30mm., For reverse gear 829458., Spec 9925, 867112
2	(837450)	1	Intermediate section	Obsolete part
3	800314	1	Gasket	
4	940160	12	Hexagon screw	
5	941909	12	Spring washer	
6	(815247)	1	Gasket	Obsolete part
7	953261	12	Stud	
8	942336	12	Spring washer	
9	955827	12	Hexagon nut	
10	(837451)	1	Absorber	Obsolete part
11	(956613)	8	Hex. socket screw	Obsolete part
12	940280	8	Spring washer	
13	(824367)	2	Bracket	Obsolete part
14	(817654)	2	Gasket	Obsolete part
15	955590	8	Hexagon screw	
16	941912	8	Spring washer	
17	(837412)	1	Oil cooler	Obsolete part
18	940133	4	Hexagon screw	
19	942336	4	Spring washer	
20	(837409)	2	Hose	Obsolete part
21	(942363)	1	Fitting	Obsolete part
22	(18821)	1	Gasket	Obsolete part
23	(942418)	1	Nipple	Obsolete part
24	(827236)	1	Oil pressure gauge	Obsolete part
25	804616	1	Lamp socket	
26	182059	1	Bulb	24V
	19923	1	Bulb	12V
27	87698	1	Fitting screw	
28	(954303)	X	Tube	L=5000mm, Obsolete part
29	954320	1	Fitting nut	
30	(837406)	1	Nipple	Obsolete part
31	957181	1	Gasket	
32	(820934)	1	Clutch flange	Obsolete part
33	955739	6	Hexagon screw	
34	955886	6	Castle nut	
35	907861	6	Split pin	
36	(907662)	2	Pin	Obsolete part
37		2		
38	955589	4	Hexagon screw	
39	941912	4	Spring washer	
40	836961	2	Rubber cushion	
41	959827	2	Hexagon screw	
42	955829	2	Hexagon nut	
43	941912	2	Spring washer	
44	836325	2	Washer	
45	836962	2	Stop washer	
46	836963	2	Rubber washer	
47	(837405)	1	Bracket	Obsolete part
48	940133	1	Hexagon screw	
49	942336	1	Spring washer	
50	21471054	1	Bracket	
51	819068	1	Washer	
52	950021	2	Cross recessed screw	
53	814082	1	Cube	

7742190-44-14603B

5047

Upd:2011-08-15

## TAMD120A

REF	PART NO.	QTY	DESCRIPTION	NOTES
54	17276	1	Split pin	
55	940191	1	Washer	
57	(837416)	1	Coolant pipe	Obsolete part
58	943372	X	Rubber hose	L=110mm (952980)
59	943480	4	Hose clamp	
61	(824433)	1	Clamp	Obsolete part
62	955524	1	Hexagon screw	
63	955826	1	Hexagon nut	
64	941907	1	Spring washer	
65	955588	1	Hexagon screw	
66		1	control cable	See group 9
67		1	control	See group 9
68	837781	1	Oil pressure sensor	See group 3
69	957181	1	Gasket	See group 3
70	(842714)	1	Nipple	Obsolete part
71	957180	1	Gasket	