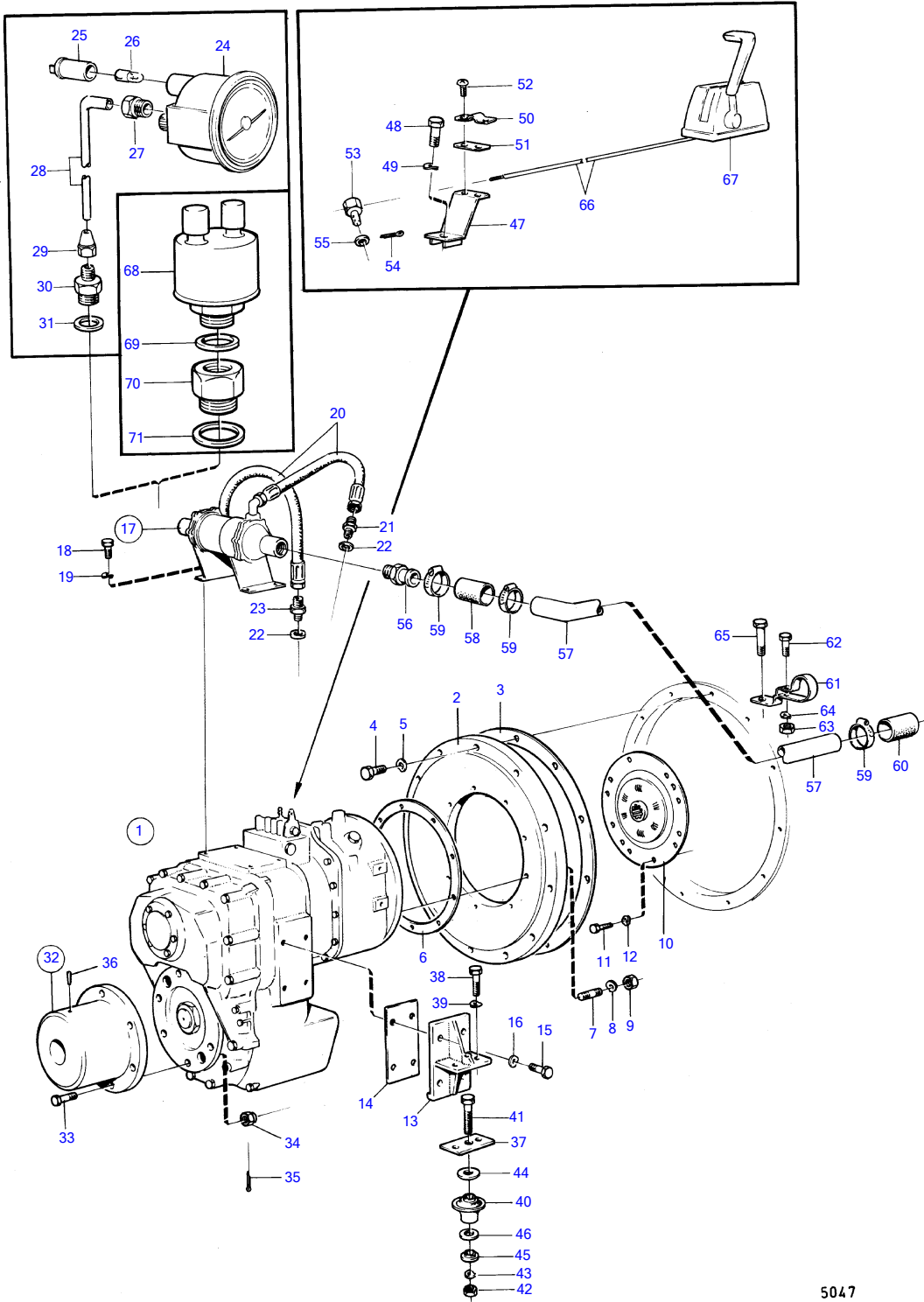


TMD120A



5047

TMD120A

REF	PART NO.	QTY	DESCRIPTION	SEE SEC.	NOTES
1		1	rev. gear, ratio 2:1		Spec 9925, 867112
		1	rev. gear, ratio 2:1		Drilled 30mm., Spec 9925, 867112
		1	rev. gear, ratio 3:1		Spec 9925, 867112
		1	rev. gear, ratio 3:1		Drilled 30mm., Spec 9925, 867112
		1	rev. gear, ratio 4:1		Spec 9925, 867112
		1	rev. gear, ratio 4:1		Drilled 30mm., Spec 9925, 867112
		1	rev. gear, ratio 4,78:1		Spec 9925, 867112
		1	rev. gear, ratio 4,78:1		Drilled 30mm., Spec.9925 867112
		1	rev. gear, ratio 4,78:1		For reverse gear 829458., Spec 9925, 867112
		1	rev. gear, ratio 4,78:1 * components		Drilled 30mm., For reverse gear 829458., Spec 9925, 867112
2	(837450)	1	Intermediate section		Obsolete part
3	800314	1	Gasket		
4	940160	12	Hexagon screw		
5	941909	12	Spring washer		
6	(815247)	1	Gasket		Obsolete part
7	953261	12	Stud		
8	942336	12	Spring washer		
9	955827	12	Hexagon nut		
10	(837451)	1	Absorber		Obsolete part
11	(956613)	8	Hex. socket screw		Obsolete part
12	940280	8	Spring washer		
13	(824367)	2	Bracket		Obsolete part
14	(817654)	2	Gasket		Obsolete part
15	955590	8	Hexagon screw		
16	941912	8	Spring washer		
17	(821082)	1	Oil cooler		Obsolete part
			*	14616	
			*	14616	
18	940133	4	Hexagon screw		
19	942336	4	Spring washer		
20	(837409)	2	Hose		Obsolete part
21	(942363)	1	Fitting		Obsolete part
22	(18821)	1	Gasket		Obsolete part
23	(942418)	1	Nipple		Obsolete part
24	(827236)	1	Oil pressure gauge		Obsolete part
25	804616	1	Lamp socket		
26	182059	1	Bulb		24V
	19923	1	Bulb		12V
27	87698	1	Fitting screw		
28	(954303)	X	Tube		L=5000mm, Obsolete part
29	954320	1	Fitting nut		
30	(837406)	1	Nipple		Obsolete part
31	957181	1	Gasket		
32	(820934)	1	Clutch flange		Obsolete part
33	955739	6	Hexagon screw		
34	955886	6	Castle nut		
35	907861	6	Split pin		
36	(907662)	2	Pin		Obsolete part
37		2			
38	955589	4	Hexagon screw		
39	941912	4	Spring washer		
40	836961	2	Rubber cushion		
41	959827	2	Hexagon screw		
42	955829	2	Hexagon nut		
43	941912	2	Spring washer		
44	836325	2	Washer		
45	836962	2	Stop washer		
46	836963	2	Rubber washer		
47	(837405)	1	Bracket		Obsolete part
48	940133	1	Hexagon screw		
49	942336	1	Spring washer		

7742190-44-14603

5047

Upd:2011-08-15

TMD120A

REF	PART NO.	QTY	DESCRIPTION	SEE SEC.	NOTES
50	21471054	1	Bracket		
51	819068	1	Washer		
52	950021	2	Cross recessed screw		
53	814082	1	Cube		
54	17276	1	Split pin		
55	940191	1	Washer		
56	942315	2	Hose nipple		
57	(824438)	1	Coolant pipe		Obsolete part
58	952977	X	Radiator hose		L=95mm
59	943478	8	Hose clamp		
60	952977	X	Radiator hose		L=95mm
61	(824419)	1	Clamp		Obsolete part
62	955524	1	Hexagon screw		
63	955826	1	Hexagon nut		
64	941907	1	Spring washer		
65	955588	1	Hexagon screw		
66		1	control cable		See group 9
67		1	control		See group 9
68	837781	1	Oil pressure sensor		See group 3
69	957181	1	Gasket		See group 3
70	(842714)	1	Nipple		Obsolete part
71	957180	1	Gasket		