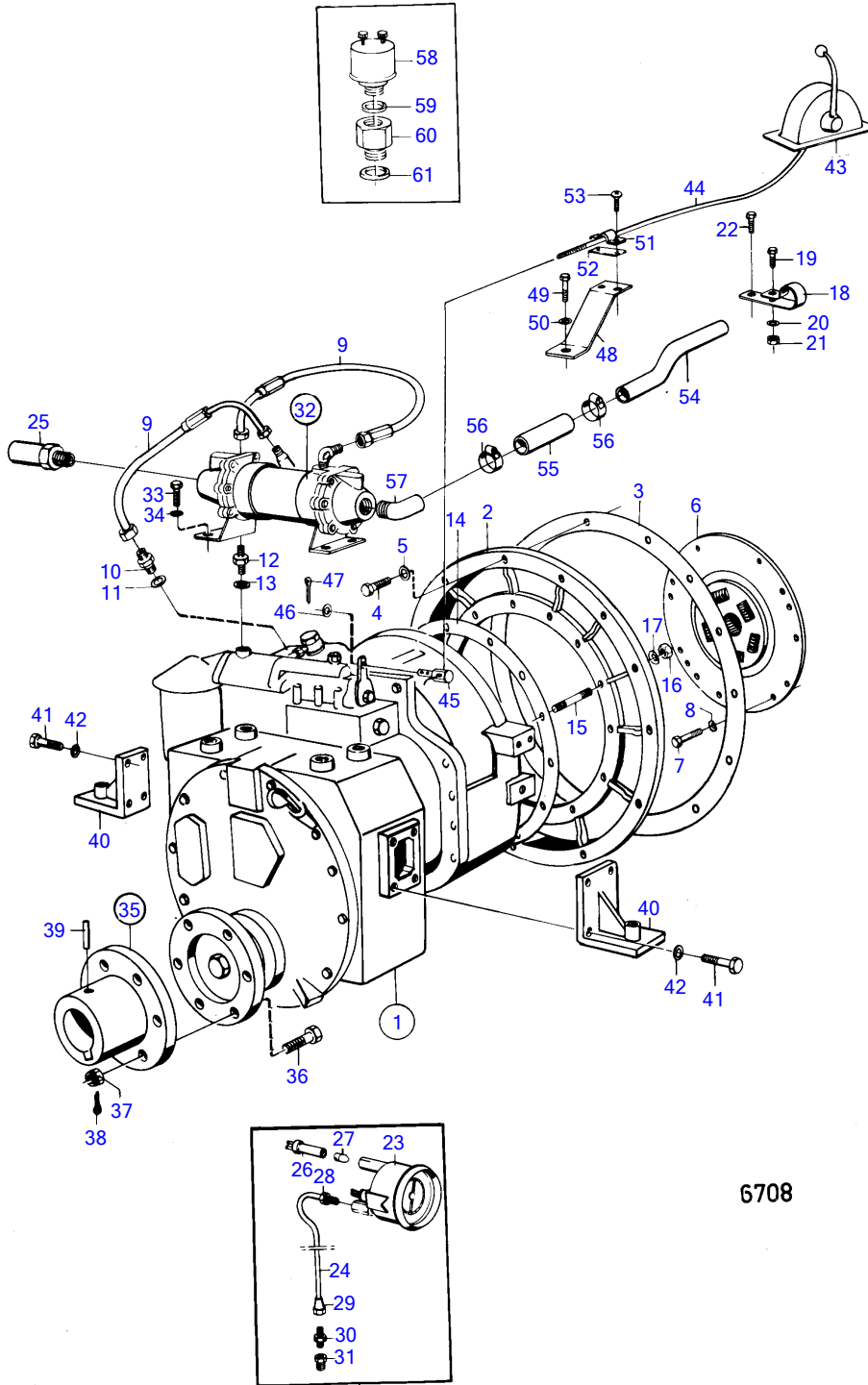


MD120A



6708

MD120A

| REF | PART NO. | QTY | DESCRIPTION | SEE SEC. | NOTES |
|-----|----------|-----|-----------------------|----------|---------------------------------|
| 1 | | 1 | rev.gear, ratio 1,5:1 | | MRF 350 HD MK3 |
| | | 1 | rev.gear, ratio 1,5:1 | | Drilled 30mm., MRF 350 HD MK3 |
| | | 1 | rev.gear, ratio 2:1 | | MRF 350 HD MK3 |
| | | 1 | rev.gear, ratio 2:1 | | Drilled 30mm., MRF 350 HD MK3 |
| | | 1 | rev.gear, ratio 3:1 | | MRF 350 HD MK3 |
| | | 1 | rev.gear, ratio 3:1 | | Drilled 30mm., MRF 350 HD MK3 |
| | | 1 | rev.gear, ratio 4:1 | | MRF 350 HD MK3 |
| | | 1 | rev.gear, ratio 4:1 | | Drilled 30mm., MRF 350 HD MK3 |
| | | | • components | | |
| 2 | (837450) | 1 | Intermediate section | | Obsolete part |
| 3 | 800314 | 1 | Gasket | | |
| 4 | 940160 | 12 | Hexagon screw | | |
| 5 | 941909 | 12 | Spring washer | | |
| 6 | (837451) | 1 | Absorber | | Obsolete part |
| 7 | 955559 | 8 | Hexagon screw | | |
| 8 | 940280 | 8 | Spring washer | | |
| 9 | (820968) | 2 | Hose | | Obsolete part |
| 10 | (942418) | 1 | Nipple | | Obsolete part |
| 11 | 957184 | 1 | Gasket | | |
| 12 | (942363) | 1 | Fitting | | Obsolete part |
| 13 | (18821) | 1 | Gasket | | Obsolete part |
| 14 | (815247) | 1 | Gasket | | Obsolete part |
| 15 | 953261 | 12 | Stud | | |
| 16 | 955827 | 12 | Hexagon nut | | |
| 17 | 942336 | 12 | Spring washer | | |
| 18 | (824419) | 1 | Clamp | | Obsolete part |
| 19 | 955524 | 1 | Hexagon screw | | |
| 20 | 941907 | 1 | Spring washer | | |
| 21 | 955826 | 1 | Hexagon nut | | |
| 22 | 955588 | 1 | Hexagon screw | | |
| 23 | (827236) | 1 | Oil pressure gauge | | Obsolete part |
| 24 | (954303) | X | Tube | | L=5000mm D=3/16", Obsolete part |
| 25 | 942315 | 1 | Hose nipple | | |
| 26 | 808175 | 1 | Lamp socket | | |
| 27 | 182059 | 1 | Bulb | | 24V |
| 28 | 87698 | 1 | Fitting screw | | |
| 29 | 954320 | 1 | Fitting nut | | |
| 30 | (954334) | 1 | Nipple | | Obsolete part |
| 31 | (809139) | 1 | Nipple | | Obsolete part |
| 32 | (821082) | 1 | Oil cooler | | Obsolete part |
| | | | • | 14616 | |
| 33 | 955534 | 4 | Hexagon screw | | |
| 34 | 942336 | 4 | Spring washer | | |
| 35 | (820933) | 1 | Clutch flange | | Obsolete part |
| 36 | 955696 | 6 | Hexagon screw | | |
| 37 | 955883 | 6 | Castle nut | | |
| 38 | 907834 | 6 | Split pin | | |
| 39 | (17186) | 1 | Taper pin | | Obsolete part |
| 40 | (823218) | 2 | Bracket | | Obsolete part |
| 41 | 955560 | 8 | Hexagon screw | | |
| 42 | 940280 | 8 | Spring washer | | |
| 43 | | 1 | control | | See group 9 |
| 44 | | 1 | control cable | | See group 9 |
| 45 | 814082 | 1 | Cube | | |
| 46 | 940191 | 1 | Washer | | |
| 47 | 17276 | 1 | Split pin | | |
| 48 | (837405) | 1 | Bracket | | Obsolete part |
| 49 | 940133 | 1 | Hexagon screw | | |
| 50 | 942336 | 1 | Spring washer | | |
| 51 | 21471054 | 1 | Bracket | | |
| 52 | 819068 | 1 | Washer | | |
| 53 | 950021 | 2 | Cross recessed screw | | |
| 54 | (842066) | 1 | Coolant pipe | | Obsolete part |

7742190-44-14601

6708

Upd:2011-08-15

