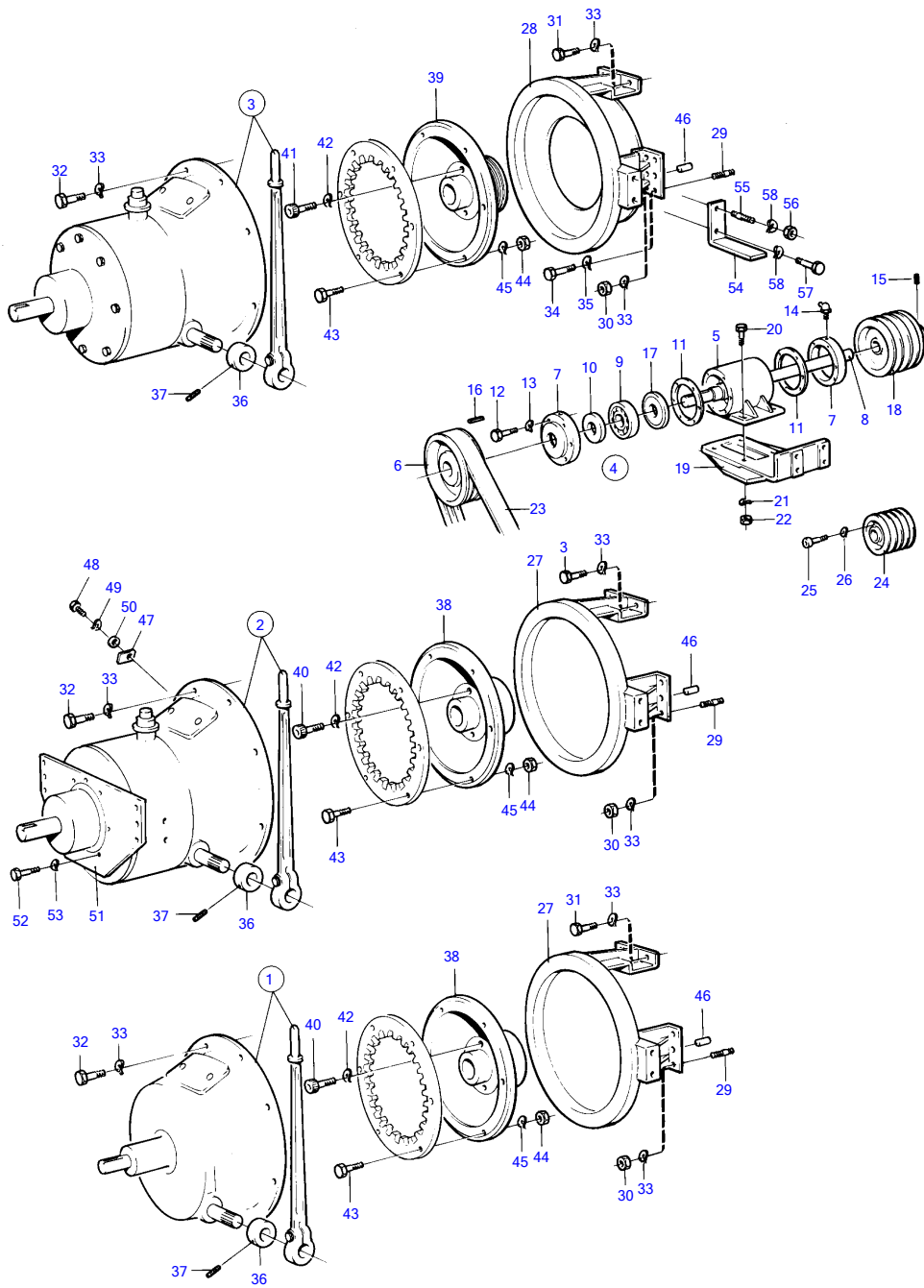


TMD120B



6518

TMD120B

REF	PART NO.	QTY	DESCRIPTION	NOTES
1	815263	1	Clutch	Rockford BW 8"
			• components	See group 4D
	820802	1	Power take-off	Rockford BW 10"
			• components	See group 4D
2	(815261)	1	Reduction gear, ratio 2,8:1	Drilled 30mm., Rockford BW 8", Obsolete part
			• components	See group 4D
	(820803)	1	Friction clutch, ratio 2,8:1	Rockford BW 10", Obsolete part
			• components	See group 4D
3	845705	1	Clutch, ratio 1:1	Twin Disc SP211 11,5"
			• components	
4	(837463)	1	Power take-off	Obsolete part
5	(837438)	1	• Bearing housing	Obsolete part
6	(837467)	1	• Pulley	Obsolete part
7	(837439)	2	• Cover	Obsolete part
8	(837465)	1	• Shaft	Obsolete part
9	183719	2	• Roller bearing	
10	958876	2	• Sealing ring	
11	(837440)	2	• Gasket	Obsolete part
12	955513	12	• Hexagon screw	
13	941906	12	• Spring washer	
14	914169	2	• Lubricating nipple	
15	(961206)	1	• Set screw	Obsolete part
16	(909350)	1	• Flat key	L=140mm, Obsolete part
	(963372)	1	• Key	L=180mm, Obsolete part
17	(946769)	2	• Sealing ring	Obsolete part
18			extra pulley	See group 9
19	(837470)	1	Bracket	See group 2A, Obsolete part
20	(100319)	4	Hexagon screw	Obsolete part
21	955896	4	Washer	
22	940157	4	Hexagon nut	
23	837466	1	V-belt	
24	837476	1	Pulley	For early type of steering system.
25	959188	12	Hex. socket screw	For early type of steering system.
26	941909	12	Spring washer	For early type of steering system.
27	(823121)	1	Bell housing	For 8", 10", Obsolete part
28	837468	1	Power take-off	For 11,5"
29	953282	6	Stud	
30	955827	6	Hexagon nut	
31	955535	2	Hexagon screw	
32	940115	12	Hexagon screw	
33	942336	20	Spring washer	
34	940115	4	Hexagon screw	
35	942336	4	Spring washer	
36	803612	2	Stop ring	
37	(915590)	4	Set screw	Obsolete part
38	(823081)	1	Companion flange	For late type of steering system., Obsolete part
	823080	1	Companion flange	Replaced by 1ea 832941 1ea 832439.
	(823079)	1	Companion flange	Replaced by 1ea 831619, 1ea 832941, 1ea 11013, 1ea 958860, 2ea 914533., Obsolete part
39	842038	1	Companion flange	
40	955555	12	Hexagon screw	For late type of steering system.
	(956610)	12	Hex. socket screw	Replaced by 1ea 832941 1ea 832439., Replaced by 1ea 831619, 1ea 832941, 1ea 11013, 1ea 958860, 2ea 914533., Obsolete part
41	959188	12	Hex. socket screw	
42	941907	12	Spring washer	
43	(803672)	6	Screw	For late type of steering system., Obsolete part
	955536	8	Hexagon screw	
44	955827	6	Hexagon nut	For late type of steering system.
	955827	8	Hexagon nut	
45	955950	6	Toothed washer	For late type of steering system.
	942336	8	Spring washer	
	955950	8	Toothed washer	Replaced by 1ea 832941 1ea 832439., Replaced by 1ea 831619, 1ea 832941, 1ea 11013, 1ea 958860, 2ea 914533.

TMD120B

REF	PART NO.	QTY	DESCRIPTION	NOTES
46	941510	2	Pin	
47	(814927)	1	Cover	Used when separate exhaust outlet and water intake is installed., Obsolete part
48	950021	1	Cross recessed screw	Used when separate exhaust outlet and water intake is installed.
49	941905	1	Spring washer	Used when separate exhaust outlet and water intake is installed.
50	940090	1	Washer	Used when separate exhaust outlet and water intake is installed.
51	(815454)	1	Attaching plate	Used when separate exhaust outlet and water intake is installed., Obsolete part
	(820682)	1	Bracket	Replaced by 1ea 831619, 1ea 832941, 1ea 11013, 1ea 958860, 2ea 914533., Obsolete part
52	955525	8	Hexagon screw	Used when separate exhaust outlet and water intake is installed.
	940135	8	Hexagon screw	Replaced by 1ea 831619, 1ea 832941, 1ea 11013, 1ea 958860, 2ea 914533.
53	941907	8	Spring washer	Replaced by 1ea 831619, 1ea 832941, 1ea 11013, 1ea 958860, 2ea 914533., Used when separate exhaust outlet and water intake is installed.
54	(837464)	2	Bracket	Obsolete part
55	953257	2	Stud	
56	955835	2	Hexagon nut	
57	940114	2	Hexagon screw	
58	942336	4	Spring washer	