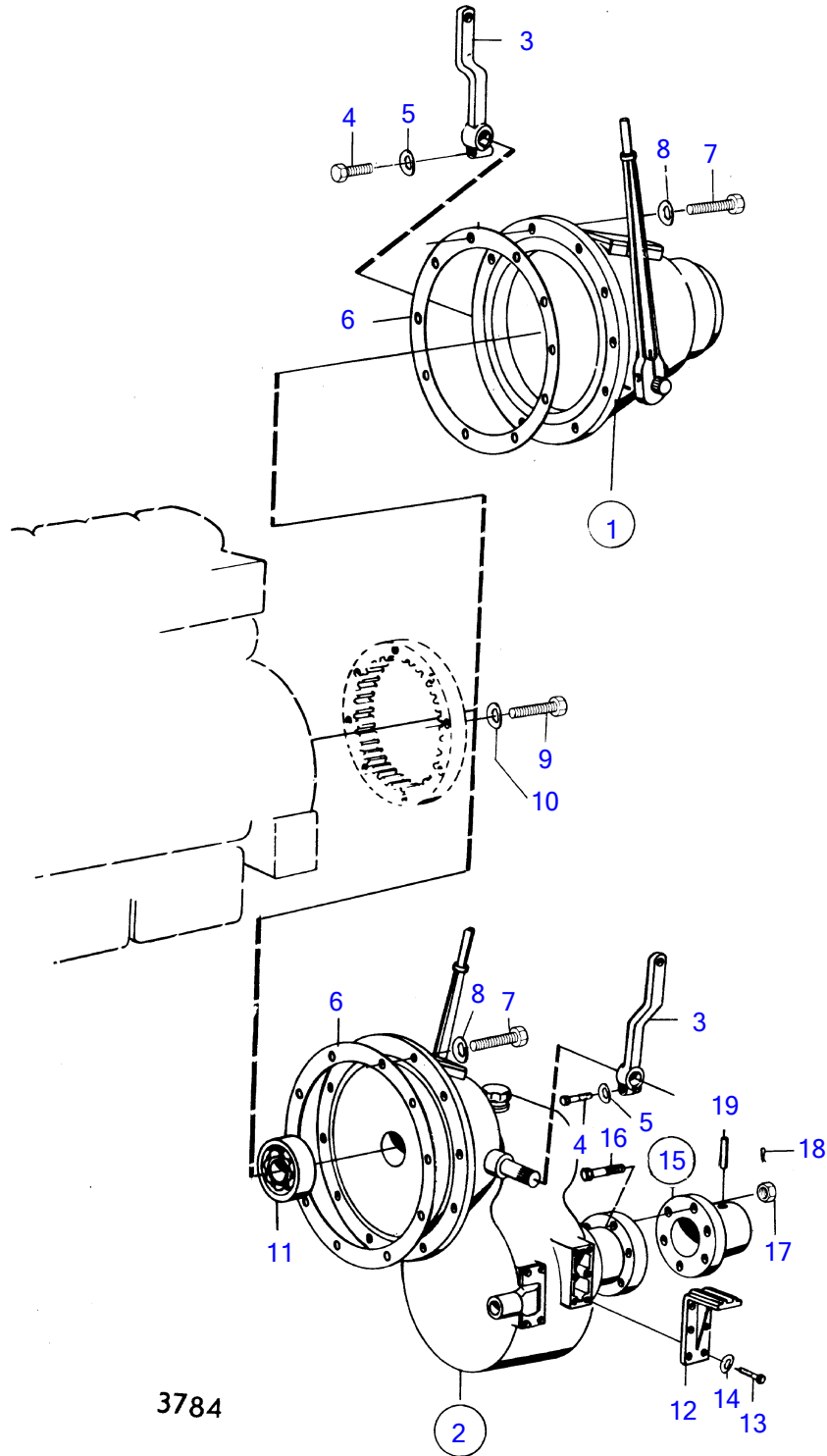


MD120A, TMD120A, TAMD120A, TAMD120B



MD120A, TMD120A, TAMD120A, TAMD120B

REF	PART NO.	QTY	DESCRIPTION	NOTES
1	(821366)	1	Clutch	Obsolete part
				SP=214-P1 spec 31608
			• components	See group 4D
		1		Spec 867094, 867122.
				Borg & Beck 214
			• components	
		1		Replaced by 1ea 875672 1ea 851265 1ea 851263 2ea 941807.
			• components	
		1		For 1/2"- 13UNC screw., Twin Disc 14"
				SP114P1-X9643F
			• components	Spec 31606
	(846730)	1	Clutch	Borg & Beck 314, Obsolete part
			• components	See group 4D
2	(815221)	1	Clutch	Drilled 30mm., Ratio 4,7:1, Obsolete part
			• components	See group 4D
		1		Ratio 4.4:1 Class DNV
			• components	See group 4D
3	(31143)	1	Lever	Obsolete part
4	(959644)	1	Hexagon screw	Obsolete part
5	941908	1	Spring washer	
6	800314	1	Gasket	
7	940160	12	Hexagon screw	
8	941909	12	Spring washer	
9	955562	8	Hexagon screw	
10	940280	8	Spring washer	
11	847324	1	Ball bearing	(815476)
12	(804931)	2	Bracket	Obsolete part
13	955340	12	Hexagon screw	
14	940280	12	Spring washer	
15	(820935)	1	Clutch flange	Obsolete part
16	(955753)	6	Screw	Obsolete part
17	955887	6	Castle nut	
18	907861	6	Split pin	
19	(17186)	2	Taper pin	Obsolete part