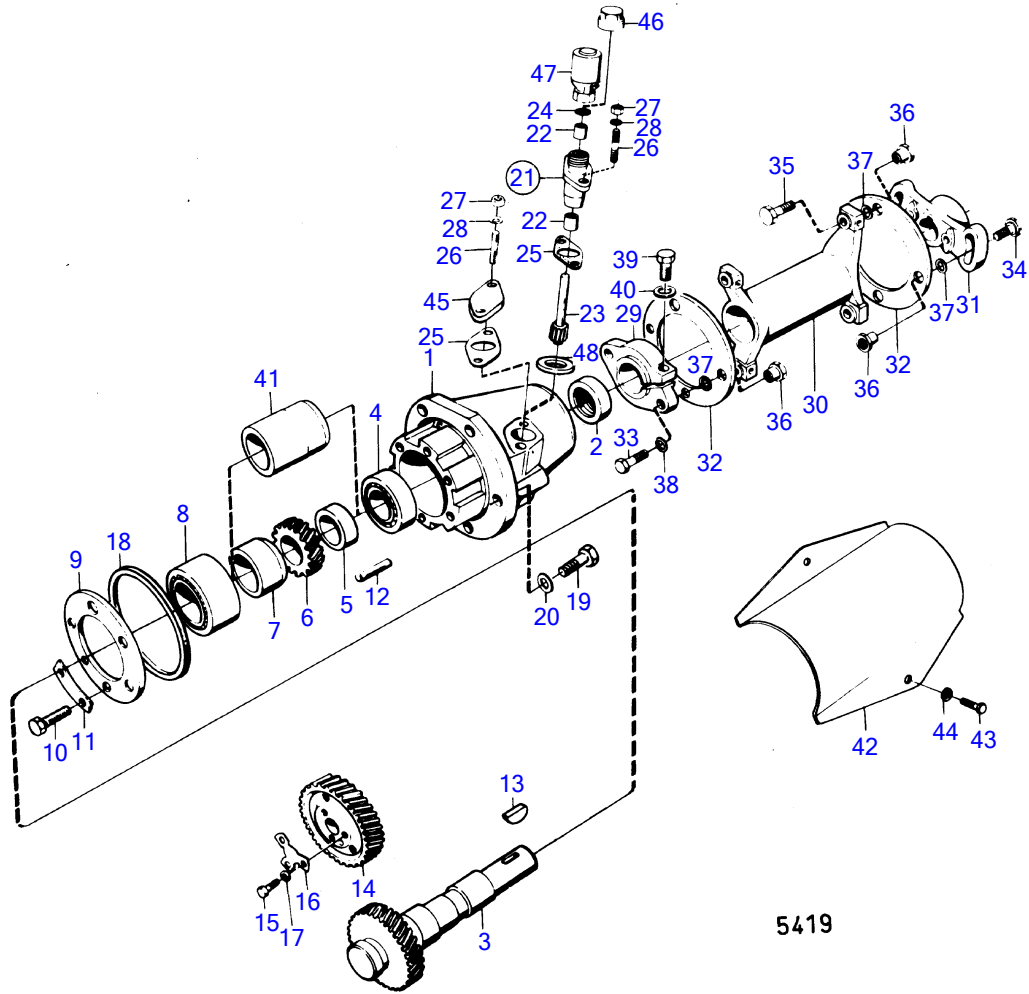


MD120A



5419

## MD120A

REF	PART NO.	QTY	DESCRIPTION	SEE SEC.	NOTES
1	421074	1	Bearing housing		
2	941580	1	Sealing ring		
3	422073	1	Shaft		
4	11013	1	Ball bearing		
5		1			Replaced by 837364.
6	421088	1	Stop ring		Replaced by 837364.
7	421083	1	Stop ring		Replaced by 837364.
8	181577	1	Ball bearing		
9	423074	1	Washer		
10	940100	6	Hexagon screw		
11	421415	3	Lock washer		
12	950586	1	Pin		
13	422329	1	Woodruff key		
14	423079	1	Gear		See group 2A
			Bulletin 45-01	45-01-EN	Timing Gears, 71, 100, 121
15	102056	3	Hexagon screw		
16	467052	1	Lock washer		
17	467055	3	Washer		
18	423123	1	Sealing ring		
19	955525	4	Hexagon screw		L=25mm
	955527	1	Hexagon screw		L=57mm
20	941907	5	Spring washer		
21	(823474)	1	Bearing housing		Obsolete part
22	(191776)	2	• Bearing bushing		Obsolete part
23	422125	1	Stub axle		
24	943821	1	Sealing ring		
25	422130	1	Gasket		
26	953224	2	Stud		
27	955825	2	Hexagon nut		
28	941906	2	Spring washer		
29	422184	1	Companion flange		
30	423134	1	Intermediate section		
31	422461	1	Companion flange		
32	417512	6	Dog clutch disc		
33	(955675)	2	Hexagon screw		Obsolete part
34	422469	2	Hexagon screw		
35	955676	4	Hexagon screw, hub puller		
36	422187	8	Nut		
37	417514	8	Washer		
38	940097	2	Washer		
39	940160	1	Hexagon screw		
40	955896	1	Washer		
42	823010	1	Protecting plate		
43	940113	2	Hexagon screw		
44	941907	2	Spring washer		
46	(822723)	1	Protecting cover		Alt, Obsolete part
47		1	rev counter sending unit		See group 3
48	925054	1	O-ring		