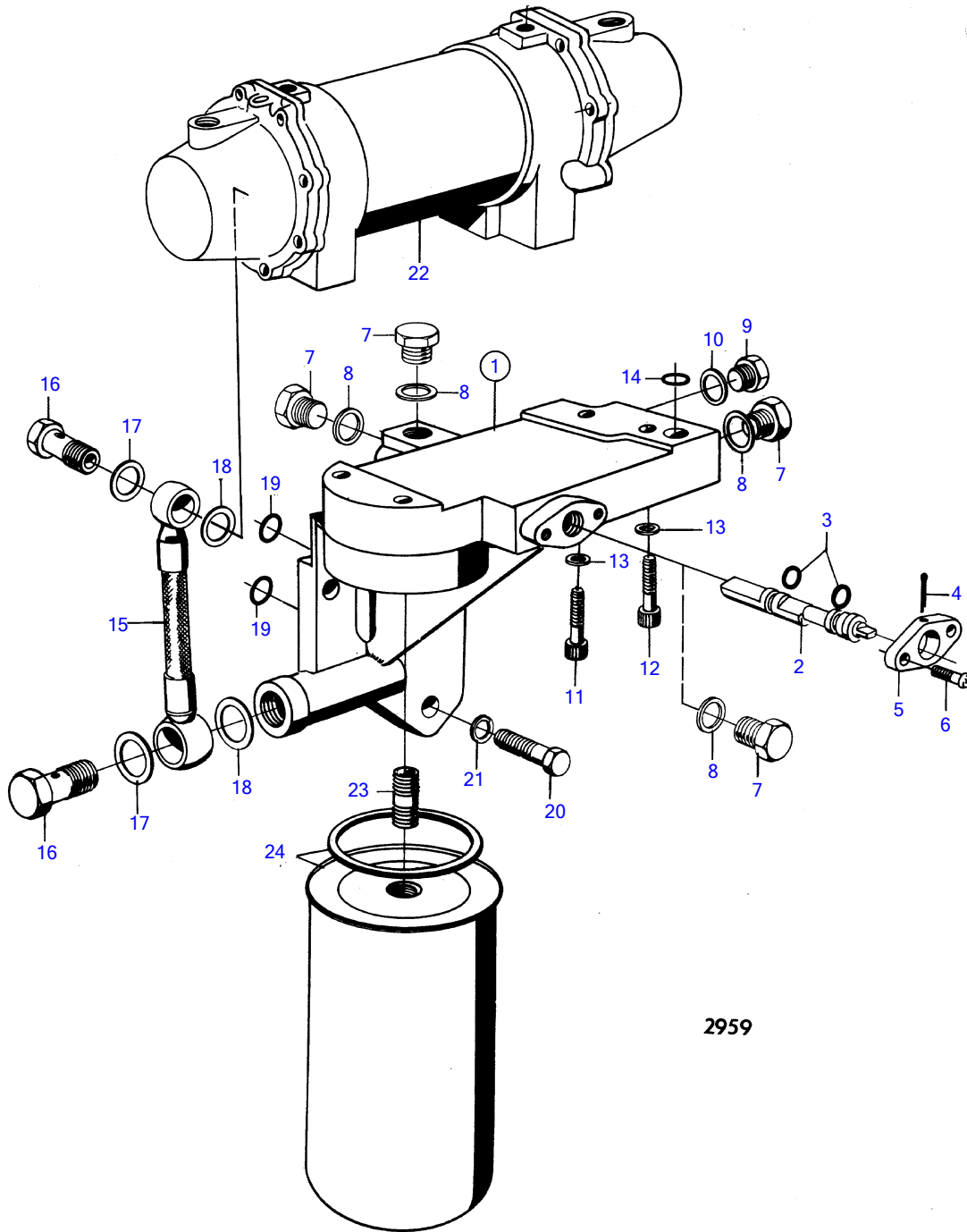


MD120A, TMD120A, TAMD120A



2959

MD120A, TMD120A, TAMD120A

REF	PART NO.	QTY	DESCRIPTION	NOTES
1	(824187)	1	Bracket	Obsolete part
	(824199)	1	Shift valve, bracket with shifting valve	See group 2B, Obsolete part
2	824198	1	• Valve peg	AQ130C MO-XXXX/87512.
3	925057	2	• O-ring	AQ130C MO-XXXX/87512.
4	907868	1	• Split pin	AQ130C MO-XXXX/87512.
5	824195	1	• Flange	AQ130C MO-XXXX/87512.
6	(950022)	2	• Cross recessed screw	AQ130C MO-XXXX/87512., Obsolete part
7	914392	3	Plug	AQ130C MO-XXXX/87512.
	914392	4	Plug	AQ130C MOXXXX/87513-.
8	947626	3	Gasket	AQ130C MO-XXXX/87512.
	957184	4	Gasket	AQ130C MOXXXX/87513-.
9	914391	2	Plug	
10	18706	2	Gasket	
11	956571	3	Hex. socket screw	See group 2B
12	956572	1	Hex. socket screw	See group 2B
13	11992	4	Gasket	See group 2B
14	960168	1	O-ring	See group 2B
15	824193	1	Rubber hose	
16	944213	2	Hollow screw	
17	957189	2	Gasket	
18	957189	2	Gasket	
19	925060	2	O-ring	
20	940162	3	Hexagon screw	
21	942336	3	Spring washer	
22			oil cooler	See group 2B
23	423067	2	Nipple	
24	4785974	2	Oil filter	