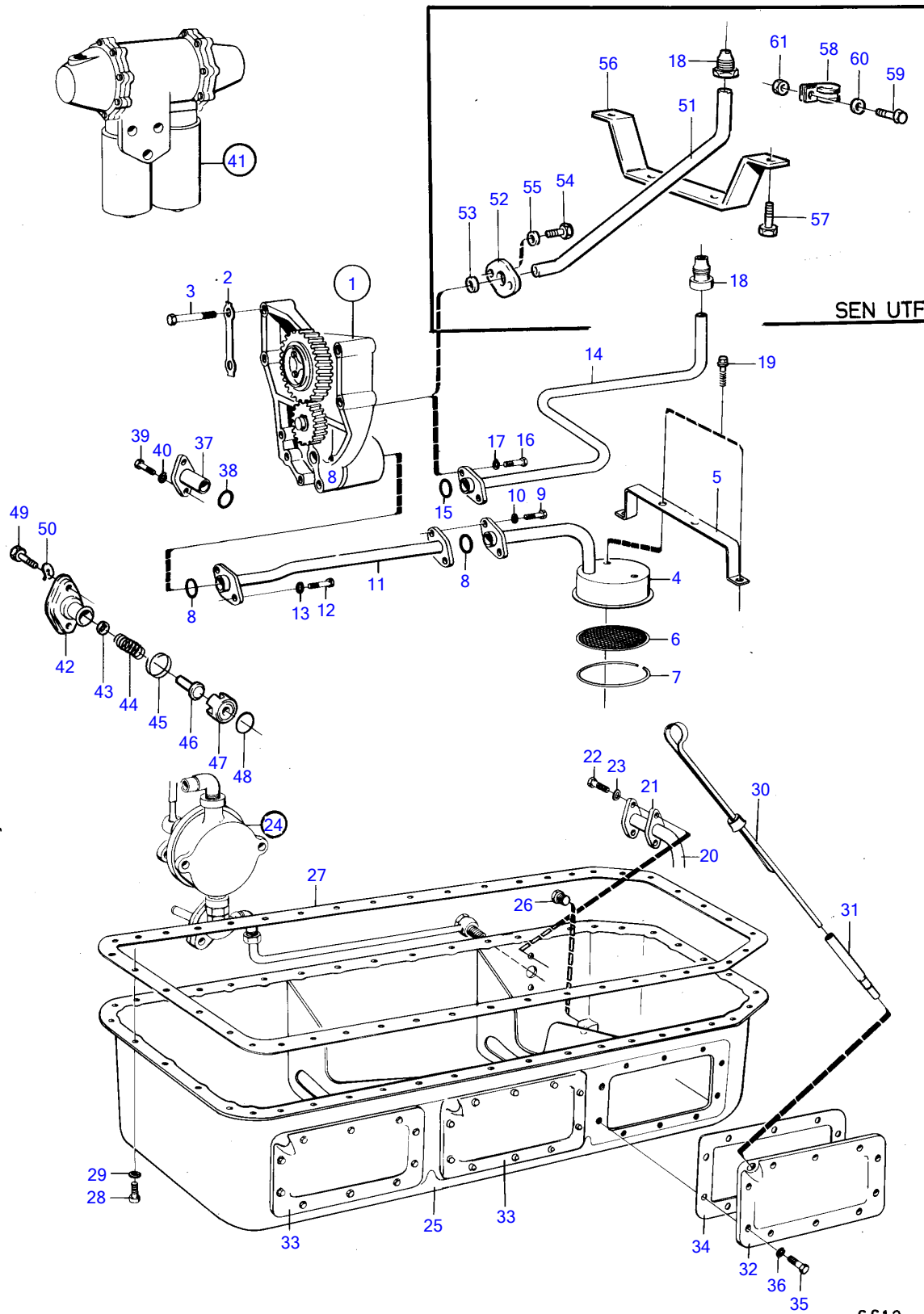


TMD120A



SEN UTF

6613

## TMD120A

REF	PART NO.	QTY	DESCRIPTION	SEE SEC.	NOTES
1	468023	1	Oil pump		AQD21A/270, AQD21A/280, AQD21B/280., MO-16910/XXXX
	468351	1	Oil pump		MO16911/XXXX-
2	190529	2	Tab washer		
3	955538	4	Hexagon screw		
4	824156	1	Suction pipe		
5	896682	1	Bracket		
6	414621	1	Wire gauze		
7	(118125)	1	Snap ring		Obsolete part
8	925061	2	O-ring		
9	955533	2	Hexagon screw		
10	941907	2	Spring washer		
11	(824174)	1	Intermediate pipe		Obsolete part
12	940135	2	Hexagon screw		
13	941907	2	Spring washer		
14	468036	1	Service kit		For BB115 with BorgWarner reverse gear., Early type
15	925060	1	O-ring		Early type
16	955533	2	Hexagon screw		Early type
17	941907	2	Spring washer		Early type
18	466908	1	Fitting		(944194)
19	942402	4	Flange screw		
20	896775	1	Pipe		
21	802287	1	Gasket		
22	955525	2	Hexagon screw		
23	941907	2	Spring washer		
24		1	sump pump and installation components	14464	
25	822586	1	Crankcase		
26	951906	1	Magnetic plug		
27	470133	1	Gasket		(423365)
28	956570	43	Hex. socket screw		
29	941907	43	Spring washer		
30	822542	1	Oil dipstick		
31	846922	1	Tube		(785606)
32	822588	1	Hatch		
33	822587	2	Cover		
34	822589	3	Gasket		
35	955535	30	Hexagon screw		
36	942336	30	Spring washer		
37	468138	1	Reduction valve		
38	925062	1	O-ring		
39	940100	2	Hexagon screw		
40	941906	2	Spring washer		
41		1	oil filter and installation components	14459	
51	470264	1	Oil pressure pipe		Late type
52	470262	1	Flange		Late type
53	470263	1	Sealing ring		Late type
54	959793	2	Hexagon screw		Late type
55	941907	2	Spring washer		Late type
56	(470143)	1	Bracket		Obsolete part, Late type
57	942402	2	Flange screw		Late type
58	949786	1	Clamp		Late type
59	942402	1	Flange screw		Late type
60	955894	1	Washer		Late type
61	945467	1	Lock nut		Late type