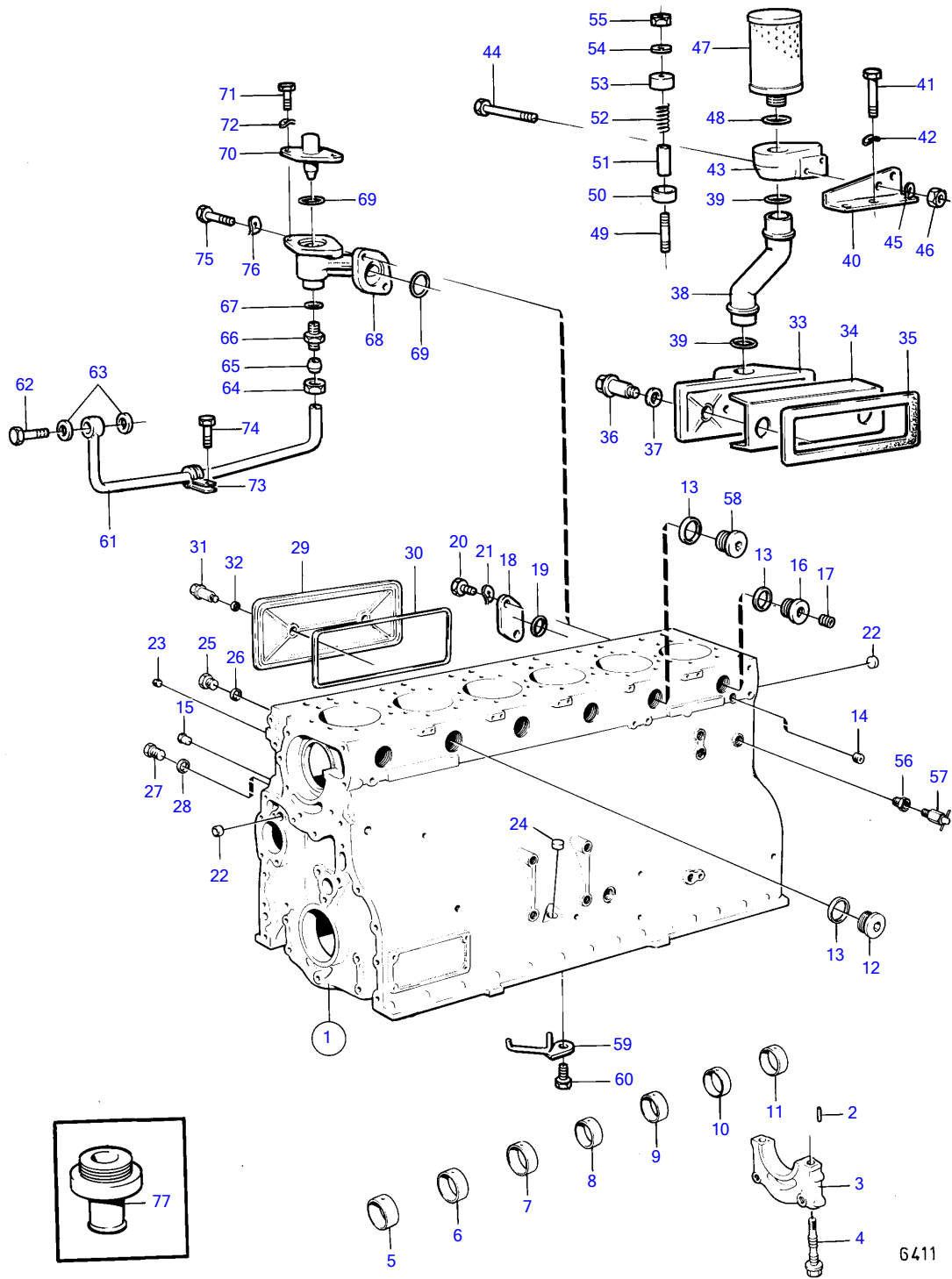


TAMD120B



TAMD120B

| REF | PART NO. | QTY | DESCRIPTION | NOTES |
|-----|----------|-----|-------------------|--|
| 1 | 468702 | 1 | Cylinder block | Replaced by cylinder block 478990 and 6 pcs cylinder liner kit 275392. |
| | 478990 | 1 | Cylinder block | |
| 2 | 422426 | 1 | • Pivot pin | |
| 3 | | 7 | • bearing cap | |
| 4 | 423444 | 14 | • Flange screw | |
| 5 | 422076 | 1 | • Bushing | |
| 6 | 422077 | 1 | • Bushing | |
| 7 | 422078 | 1 | • Bushing | |
| 8 | 422079 | 1 | • Bushing | |
| 9 | 422080 | 1 | • Bushing | |
| 10 | 422081 | 1 | • Bushing | |
| 11 | 422082 | 1 | • Bushing | |
| 12 | 467367 | 5 | • Plug | (467649) |
| 13 | 469328 | 6 | • Gasket | |
| 14 | 942734 | 2 | • Plug | |
| 15 | 422369 | 7 | • Plug | |
| 16 | 821335 | 1 | • Plug | |
| 17 | 952077 | 1 | • Plug | |
| 18 | | 1 | • Cover | |
| 19 | 925060 | 1 | • O-ring | |
| 20 | 955524 | 2 | • Hexagon screw | |
| 21 | 941907 | 2 | • Spring washer | |
| 22 | 955083 | 3 | Cap plug | |
| 23 | 952077 | 5 | Plug | |
| 24 | 955082 | 3 | Cap plug | |
| 25 | 16318 | 3 | Plug | |
| 26 | 907132 | 3 | Gasket | |
| 27 | 190798 | 1 | Plug | |
| 28 | 18818 | 1 | Gasket | |
| 29 | 423120 | 2 | Inspection cover | |
| 30 | 467409 | 2 | Gasket | |
| 31 | 422541 | 4 | Screw | |
| 32 | 424342 | 4 | Sealing ring | |
| 33 | 423121 | 1 | Inspection cover | |
| 34 | 422542 | 1 | Splash plate | |
| 35 | 467409 | 1 | Gasket | |
| 36 | 422541 | 2 | Screw | |
| 37 | 424342 | 2 | Sealing ring | |
| 38 | 843368 | 1 | Breather pipe | |
| 39 | 421158 | 2 | Sealing ring | |
| 40 | (843366) | 1 | Bracket | Obsolete part |
| 41 | 940114 | 3 | Hexagon screw | |
| 42 | 942336 | 3 | Spring washer | |
| 43 | 843356 | 1 | Connector housing | |
| 44 | 955529 | 2 | Hexagon screw | |
| 45 | 941907 | 2 | Spring washer | |
| 46 | 955826 | 2 | Hexagon nut | |
| 47 | 843736 | 1 | Filter | |
| 48 | 843449 | 1 | Gasket | |
| 49 | 924058 | 1 | Stud | |
| 50 | 842972 | 1 | Valve disc | |
| 51 | 842974 | 1 | Spacer sleeve | |
| 52 | 843301 | 1 | Spring | |
| 53 | 842975 | 1 | Protecting casing | |
| 54 | 421158 | 1 | Sealing ring | |
| 55 | 963105 | 1 | Lock nut | |
| 56 | 190130 | 1 | Reduction nipple | |
| 57 | 949918 | 1 | Shut-off cock | |
| 58 | 836993 | 1 | Nipple | See group 2B |
| 59 | 468539 | 6 | Oil jet | |
| 60 | 948587 | 6 | Hexagon screw | |
| 61 | 842830 | 1 | Tube | See group 2B |
| 62 | 190714 | 1 | Hollow screw | See group 2B |

7742190-21-14471

6411

Upd:2011-08-15

TAMD120B

| REF | PART NO. | QTY | DESCRIPTION | NOTES |
|-----|----------|-----|-----------------|---------------|
| 63 | 957181 | 2 | Gasket | See group 2B |
| 64 | 956985 | 1 | Fitting nut | |
| 65 | 956971 | 1 | Ferrule | |
| 66 | 192639 | 1 | Nipple | |
| 67 | 957181 | 1 | Gasket | |
| 68 | (843529) | 1 | Housing | Obsolete part |
| 69 | 925065 | 2 | O-ring | |
| 70 | 468838 | 1 | Valve | |
| 71 | 940094 | 2 | Hexagon screw | |
| 72 | 941906 | 2 | Spring washer | |
| 73 | 952629 | 1 | Clamp | |
| 74 | 940100 | 1 | Hexagon screw | |
| 75 | 955525 | 2 | Hexagon screw | |
| 76 | 941907 | 2 | Spring washer | |
| 77 | 845260 | 1 | Hose attachment | |