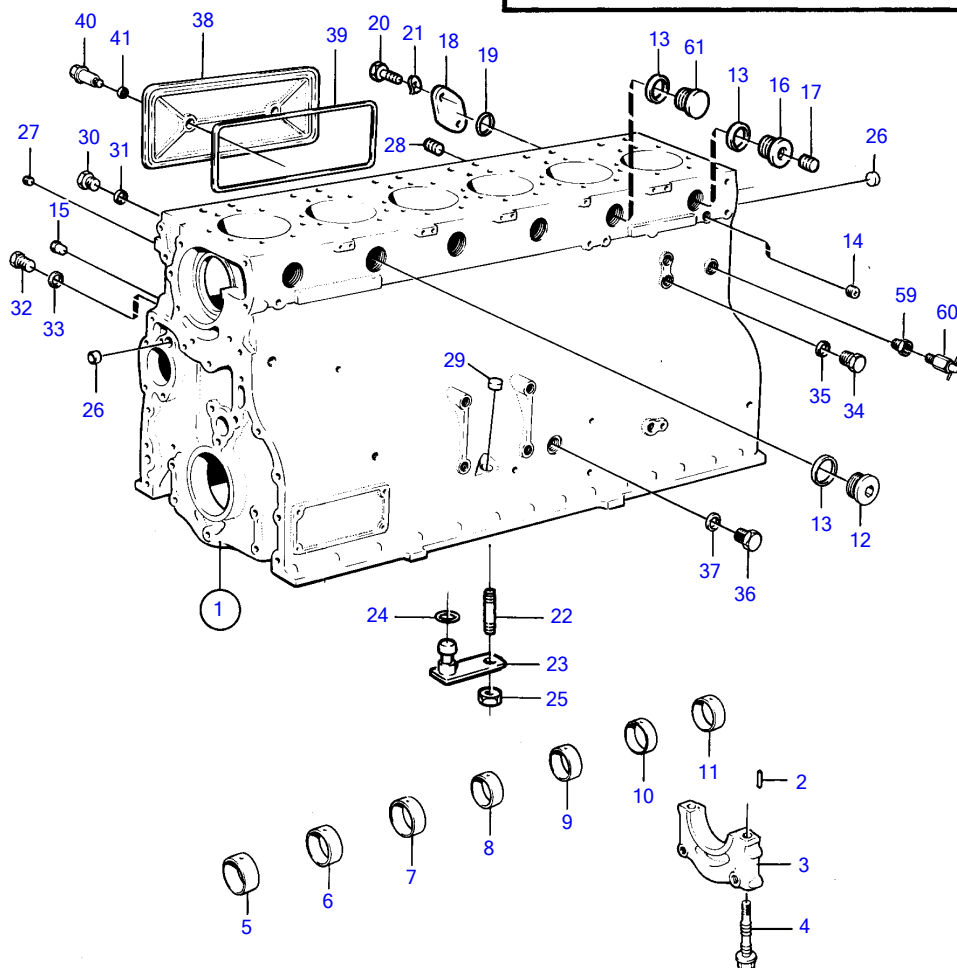
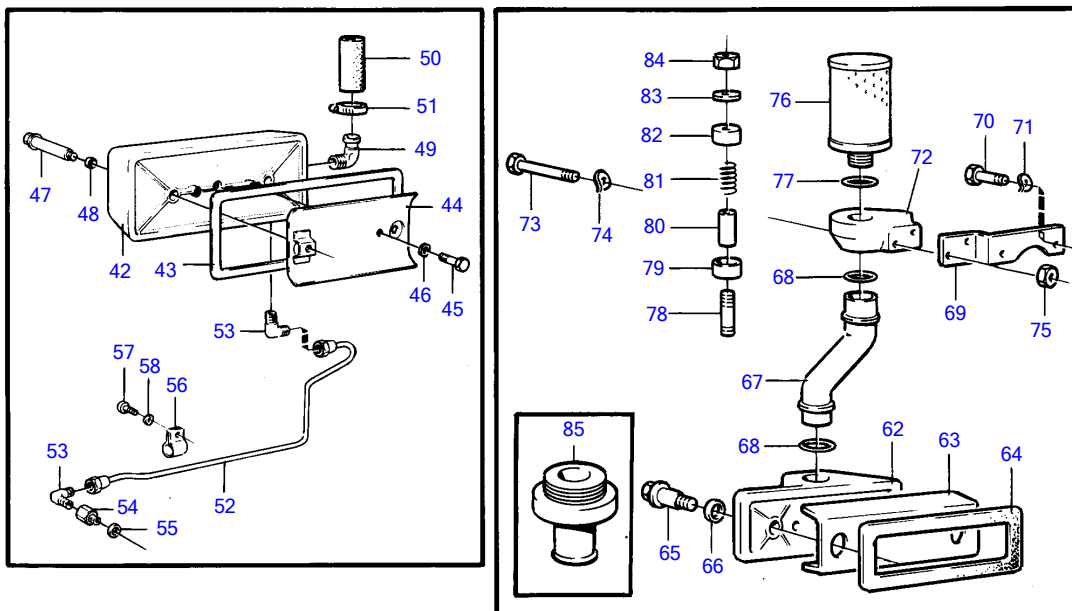


TMD120A



6410

TMD120A

REF	PART NO.	QTY	DESCRIPTION	NOTES
1	468702	1	Cylinder block	Replaced by cylinder block 478990 and 6 pcs cylinder liner kit 275392.
	478990	1	Cylinder block	
2	422426	1	• Pivot pin	
3		7	• bearing cap	
4	423444	14	• Flange screw	
5	422076	1	• Bushing	
6	422077	1	• Bushing	
7	422078	1	• Bushing	
8	422079	1	• Bushing	
9	422080	1	• Bushing	
10	422081	1	• Bushing	
11	422082	1	• Bushing	
12	467367	6	• Plug	(467649)
13	469328	6	• Gasket	
14	942734	2	• Plug	
15	422369	7	• Plug	
16	821335	1	• Plug	
17	952077	1	• Plug	
18		1	• Cover	
19	925060	1	• O-ring	
20	955524	2	• Hexagon screw	
21	941907	2	• Spring washer	
22	(468183)	6	Stud	Obsolete part, MO-13688/XXXX
23	(468073)	6	Cover	Obsolete part, MO-13688/XXXX
24	955984	6	O-ring	MO-13688/XXXX
25	(944579)	6	Lock nut	Obsolete part, MO-13688/XXXX
26	955083	2	Cap plug	
27	952077	5	Plug	
28	952075	1	Plug	
29	955082	1	Cap plug	
30	16318	3	Plug	
31	907132	3	Gasket	
32	190798	1	Plug	
33	18818	1	Gasket	
38	423120	2	Inspection cover	
39	467409	2	Gasket	
40	422541	4	Screw	
41	424342	4	Sealing ring	
42	(824365)	1	Crankcase ventilatio	Obsolete part, AQ115A MO-XXXX/86908.
43	824343	1	Gasket	AQ115A MO-XXXX/86908.
44	(824369)	1	Splash plate	Obsolete part, AQ115A MO-XXXX/86908.
45	940100	2	Hexagon screw	AQ115A MO-XXXX/86908., Early type
46	941906	2	Spring washer	AQ115A MO-XXXX/86908., Early type
47	823742	2	Screw	AQ115A MO-XXXX/86908.
48	424342	2	Sealing ring	AQ115A MO-XXXX/86908.
49	(815239)	1	Hose attachment	Obsolete part, AQ115A MO-XXXX/86908.
52	(824350)	1	Oil pipe	Obsolete part, AQ115A MO-XXXX/86908.
53	954342	2	Elbow nipple	AQ115A MO-XXXX/86908.
54	(942347)	1	Nipple	Obsolete part, AQ115A MO-XXXX/86908.
55	957182	1	Gasket	AQ115A MO-XXXX/86908.
56	(18301)	1	Attaching clamp	Obsolete part, AQ115A MO-XXXX/86908.
57	955523	1	Hexagon screw	AQ115A MO-XXXX/86908.
58	941907	1	Spring washer	AQ115A MO-XXXX/86908.
59	190130	1	Reduction nipple	
60	949918	1	Shut-off cock	
61	836993	1	Nipple	See group 2B
62	423121	1	Inspection cover	Late type
63	422542	1	Splash plate	Late type
64	467409	1	Gasket	Late type
65	422541	2	Screw	Late type
66	424342	2	Sealing ring	Late type
67	(843369)	1	Breather pipe	Obsolete part, Late type
68	421158	2	Sealing ring	Late type

7742190-21-14470B

6410

Upd:2011-08-15

TMD120A

REF	PART NO.	QTY	DESCRIPTION	NOTES
69	843370	1	Bracket	Late type
70	940114	2	Hexagon screw	Late type
71	942336	2	Spring washer	Late type
72	843356	1	Connector housing	Late type
73	955529	2	Hexagon screw	Late type
74	941907	2	Spring washer	Late type
75	955826	2	Hexagon nut	Late type
76	843736	1	Filter	Late type
77	843449	1	Gasket	Late type
78	924058	1	Stud	Late type
79	842972	1	Valve disc	Late type
80	842974	1	Spacer sleeve	Late type
81	843301	1	Spring	Late type
82	842975	1	Protecting casing	Late type
83	421158	1	Sealing ring	Late type
84	963105	1	Lock nut	Late type
85	845260	1	Hose attachment	