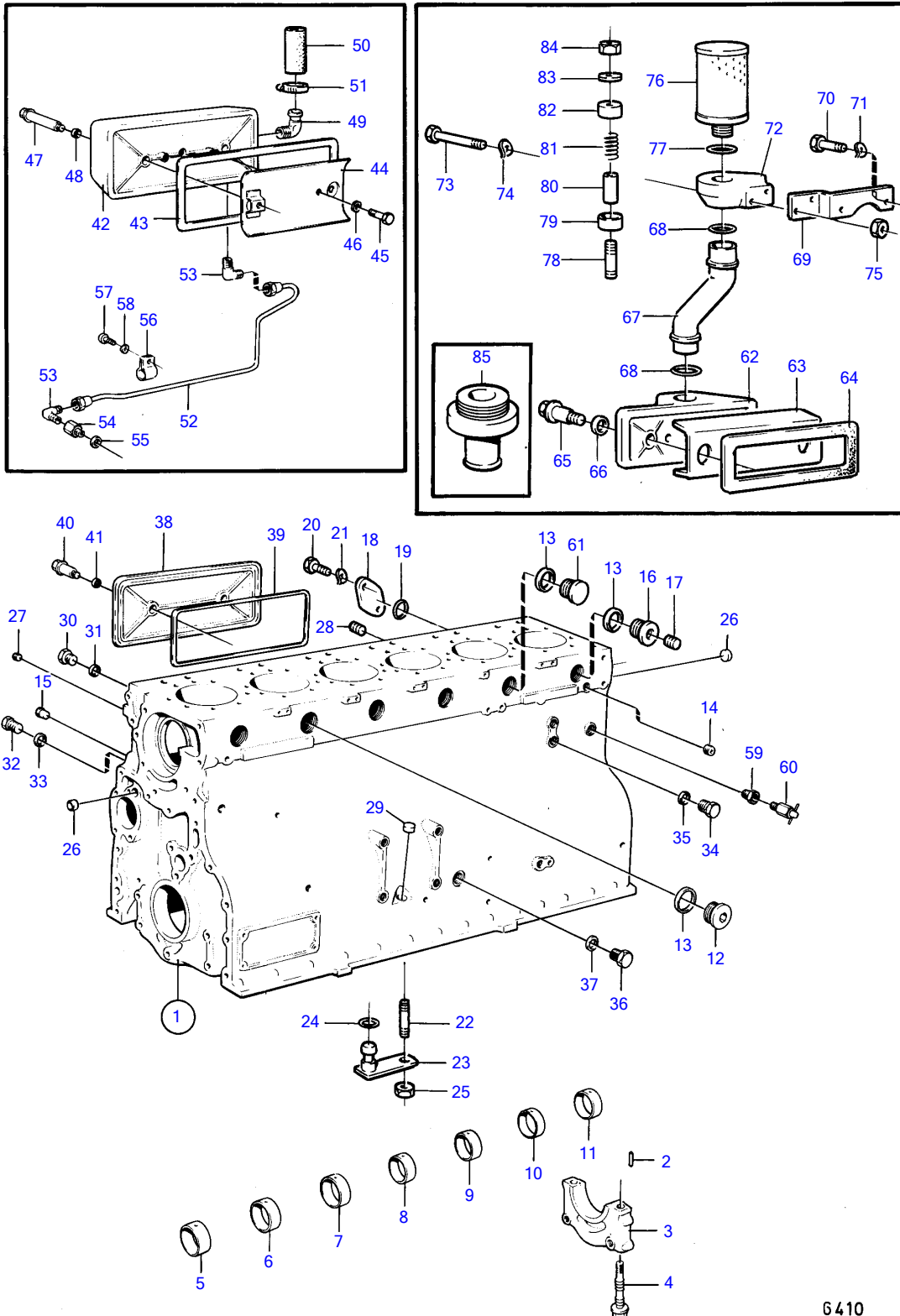


MD120A



MD120A

| REF | PART NO. | QTY | DESCRIPTION | NOTES |
|-----|----------|-----|----------------------|--------------------------------------|
| 1 | 468702 | 1 | Cylinder block | Replaced by 478990, (468520) |
| | 478990 | 1 | Cylinder block | |
| 2 | 422426 | 1 | • Pivot pin | |
| 3 | | 7 | • bearing cap | |
| 4 | 423444 | 14 | • Flange screw | |
| 5 | 422076 | 1 | • Bushing | |
| 6 | 422077 | 1 | • Bushing | |
| 7 | 422078 | 1 | • Bushing | |
| 8 | 422079 | 1 | • Bushing | |
| 9 | 422080 | 1 | • Bushing | |
| 10 | 422081 | 1 | • Bushing | |
| 11 | 422082 | 1 | • Bushing | |
| 12 | 467367 | 6 | • Plug | (467649) |
| 13 | 469328 | 6 | • Gasket | |
| 14 | 942734 | 2 | • Plug | |
| 15 | 422369 | 7 | • Plug | |
| 16 | 821335 | 1 | • Plug | |
| 17 | 952077 | 1 | • Plug | |
| 18 | | 1 | • Cover | |
| 19 | 925060 | 1 | • O-ring | |
| 20 | 955524 | 2 | • Hexagon screw | |
| 21 | 941907 | 2 | • Spring washer | |
| 22 | (468183) | 6 | Stud | Obsolete part, MO-13688/XXXX |
| 23 | (468073) | 6 | Cover | Obsolete part, MO-13688/XXXX |
| 24 | 955984 | 6 | O-ring | MO-13688/XXXX |
| 25 | (944579) | 6 | Lock nut | Obsolete part, MO-13688/XXXX |
| 26 | 955083 | 2 | Cap plug | |
| 27 | 952077 | 5 | Plug | |
| 28 | 952075 | 1 | Plug | |
| 29 | 955082 | 1 | Cap plug | |
| 30 | 16318 | 3 | Plug | |
| 31 | 907132 | 3 | Gasket | |
| 32 | 190798 | 1 | Plug | |
| 33 | 18818 | 1 | Gasket | |
| 34 | (191025) | 1 | Plug | Obsolete part |
| 35 | 957178 | 1 | Gasket | |
| 36 | 192114 | 1 | Plug | |
| 37 | 957185 | 1 | Gasket | |
| 38 | 423120 | 2 | Inspection cover | |
| 39 | 467409 | 2 | Gasket | |
| 40 | 422541 | 4 | Screw | |
| 41 | 424342 | 4 | Sealing ring | |
| 42 | (824365) | 1 | Crankcase ventilatio | Obsolete part, AQ115A MO-XXXX/86908. |
| 43 | 824343 | 1 | Gasket | AQ115A MO-XXXX/86908. |
| 44 | (824369) | 1 | Splash plate | Obsolete part, AQ115A MO-XXXX/86908. |
| 45 | 940100 | 2 | Hexagon screw | AQ115A MO-XXXX/86908., Early type |
| 46 | 941906 | 2 | Spring washer | AQ115A MO-XXXX/86908., Early type |
| 47 | 823742 | 2 | Screw | AQ115A MO-XXXX/86908. |
| 48 | 424342 | 2 | Sealing ring | AQ115A MO-XXXX/86908. |
| 49 | (815239) | 1 | Hose attachment | Obsolete part, AQ115A MO-XXXX/86908. |
| 50 | 952973 | X | Hose | L=140mm |
| 51 | 951973 | 2 | Spring pin | |
| 52 | (824350) | 1 | Oil pipe | Obsolete part, AQ115A MO-XXXX/86908. |
| 53 | 954342 | 2 | Elbow nipple | AQ115A MO-XXXX/86908. |
| 54 | (942347) | 1 | Nipple | Obsolete part, AQ115A MO-XXXX/86908. |
| 55 | 957182 | 1 | Gasket | AQ115A MO-XXXX/86908. |
| 56 | (18301) | 1 | Attaching clamp | Obsolete part, AQ115A MO-XXXX/86908. |
| 57 | 955523 | 1 | Hexagon screw | AQ115A MO-XXXX/86908. |
| 58 | 941907 | 1 | Spring washer | AQ115A MO-XXXX/86908. |
| 59 | 190130 | 1 | Reduction nipple | |
| 60 | 947893 | 1 | Shut-off cock | |
| 85 | 845260 | 1 | Hose attachment | |

7742190-21-14470

6410

Upd:2011-08-15