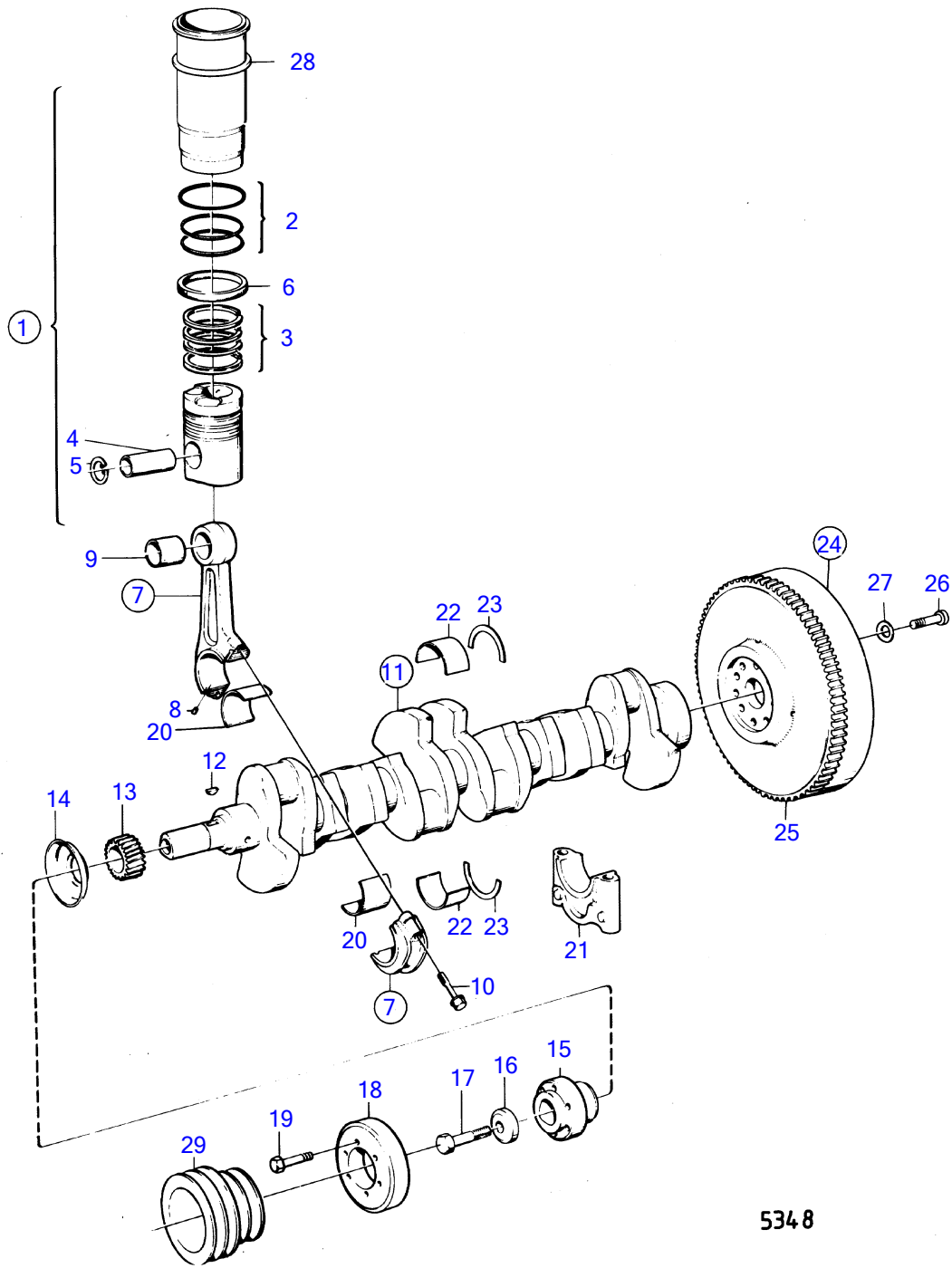


TMD120B



5348

## TMD120B

REF	PART NO.	QTY	DESCRIPTION	SEE SEC.	NOTES
1	275069	1	Cylinder liner kit		
2	275730	6	• Sealing ring kit		
3	275321	6	• Piston ring kit		
4	423342	6	• Piston pin		Std D
5	423124	12	• Snap ring		
6	468582	6	• Protecting ring		
7	822530	6	Connecting rod		
8	(21660)	12	• Pin		Obsolete part
9	423147	6	• Bushing		
10	417464	12	• Screw		
11	846444	1	Crankshaft		
12	422253	1	• Woodruff key	14481	
13	423080	1	Gear	14481	
			Bulletin 45-01	45-01-EN	Timing Gears, 71, 100, 121
14	423177	1	Oil deflector	14481	
15	469489	1	Hub		
16	422124	1	Washer		
17	941494	1	Hexagon screw		
18	823027	1	Vibration damper		
19	956601	12	Hex. socket screw		
20	270105	6	Big-end bearing kit		Std D
	270106	6	Big-end bearing kit		0.25mm u.s
	270107	6	Big-end bearing kit		0.50mm u.s
	270108	6	Big-end bearing kit		0.75mm u.s
21		7	bearing cap	14472	
22	270449	7	Main bearing kit		Std D
	270450	7	Main bearing kit		0.25mm u.s
	270451	7	Main bearing kit		0.50mm u.s
	(270452)	7	Main bearing kit		0.75mm u.s, Obsolete part
23	276791	1	Thrust washer kit		Std D
	276792	1	Thrust washer kit		0.1mm o.s
	276793	1	Thrust washer kit		0.2mm o.s
24	847168	1	Flywheel		
25	423082	1	• Gear ring		
26	941570	10	Hexagon screw		
27	467773	10	Washer		
28	468271	X	Adjusting washer		TH=0.20mm
	468272	X	Adjusting washer		TH=0.30mm
	468273	X	Adjusting washer		TH=0.50mm
29		1	extra pulley		See group 9