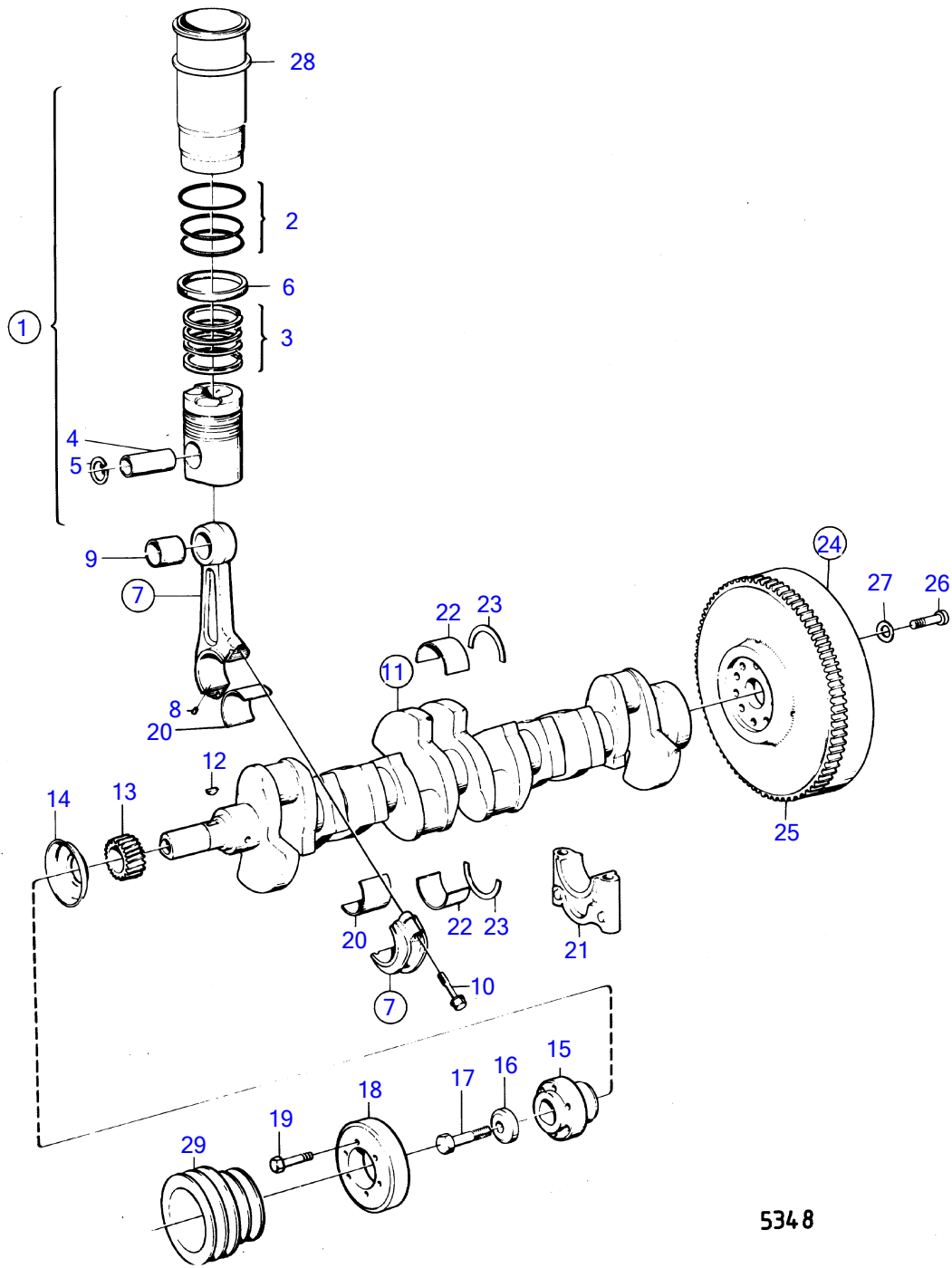


MD120A



5348

## MD120A

| REF | PART NO. | QTY | DESCRIPTION         | SEE SEC. | NOTES   |
|-----|----------|-----|---------------------|----------|---|
| 1   | (875545) | 6   | Cylinder liner kit  |          | Obsolete part   |
| 2   | 275729   | 6   | • Gasket kit        |          | (275550)  |
| 3   | 275309   | 6   | • Piston ring kit   |          |   |
| 4   | 423342   | 6   | • Piston pin        |          | Std D   |
| 5   | 423124   | 12  | • Snap ring         |          |   |
| 6   | 468582   | 6   | Protecting ring     |          | MO12309/XXXX-   |
| 7   | 822530   | 6   | Connecting rod      |          |   |
| 8   | (21660)  | 12  | • Pin               |          | Obsolete part   |
| 9   | 423147   | 6   | • Bushing           |          |   |
| 10  | 417464   | 12  | • Screw             |          |   |
| 11  | 846444   | 1   | Crankshaft          |          | (837641)  |
| 12  | 422253   | 1   | • Woodruff key      | 14480    |   |
| 13  | 423080   | 1   | Gear                | 14480    |   |
|     |          |     | Bulletin 45-01      | 45-01-EN | Timing Gears, 71, 100, 121  |
| 14  | 423177   | 1   | Oil deflector       | 14480    |   |
| 15  | 469489   | 1   | Hub                 |          | (422123)  |
| 16  | 422124   | 1   | Washer              |          |   |
| 17  | 941494   | 1   | Hexagon screw       |          |   |
| 18  | 823027   | 1   | Vibration damper    |          |   |
| 19  | 956601   | 12  | Hex. socket screw   |          |   |
| 20  | 270105   | 6   | Big-end bearing kit |          | Std D   |
|     | 270106   | 6   | Big-end bearing kit |          | 0,25mm u.s  |
|     | 270107   | 6   | Big-end bearing kit |          | 0,50mm u.s  |
|     | 270108   | 6   | Big-end bearing kit |          | 0,75mm u.s  |
| 21  |          | 7   | bearing cap         | 14470    |   |
|     |          |     |                     | 14471    |   |
| 22  | 270449   | 7   | Main bearing kit    |          | Std D   |
|     | 270450   | 7   | Main bearing kit    |          | 0,25mm u.s  |
|     | 270451   | 7   | Main bearing kit    |          | 0,50mm u.s  |
|     | (270452) | 7   | Main bearing kit    |          | 0,75mm u.s, Obsolete part   |
| 23  | 276791   | 1   | Thrust washer kit   |          | Std D   |
|     | 276792   | 1   | Thrust washer kit   |          | 0,1mm o.s   |
|     | 276793   | 1   | Thrust washer kit   |          | 0,2mm o.s   |
| 24  | 814746   | 1   | Flywheel            |          |   |
|     | (837040) | 1   | Flywheel            |          | For engine with AQ drive 100B, 270, 280 or reverse gear type Borg warner., See group 9, Obsolete part |
| 25  | 423082   | 1   | • Gear ring         |          |   |
|     | (822020) | 1   | • Gear ring         |          | For engine with AQ drive 100B, 270, 280 or reverse gear type Borg warner., See group 9, Obsolete part |
| 26  | 941570   | 10  | Hexagon screw       |          |   |
| 27  | 467773   | 10  | Washer              |          |   |
| 28  | 468271   | X   | Adjusting washer    |          | TH=0.20mm   |
|     | 468272   | X   | Adjusting washer    |          | TH=0,30mm   |
|     | 468273   | X   | Adjusting washer    |          | TH=0.50mm   |
| 29  |          |     | extra pulley        |          | See group 9   |