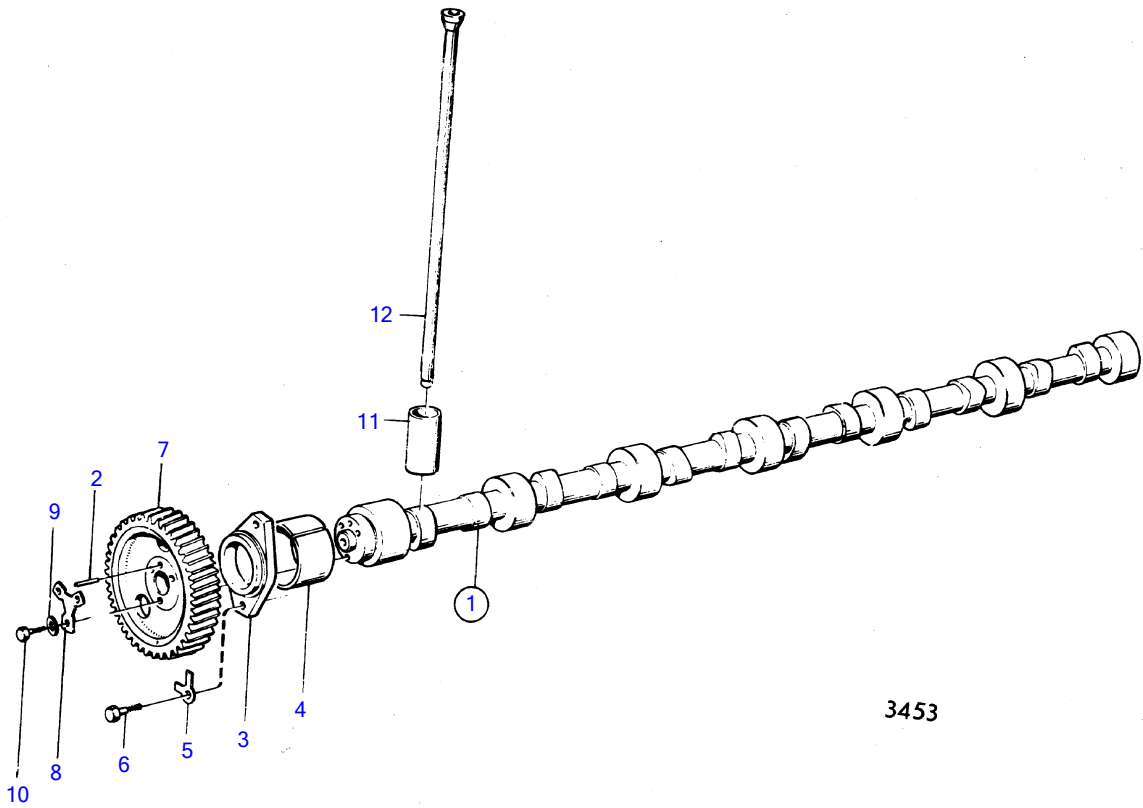


TMD120A



3453

TMD120A

REF	PART NO.	QTY	DESCRIPTION	SEE SEC.	NOTES
1	845800	1	Camshaft		(468022)
2	950588	1	• Pin	14480	
3	469324	1	Flange		(422031)
4		7	bushing	14470	
5	942336	2	Spring washer		(421167)
6	940115	2	Hexagon screw		
7	423079	1	Gear	14480	
			Bulletin 45-01	45-01-EN	Timing Gears, 71, 100, 121
8	467052	1	Lock washer	14480	
9	467055	3	Washer	14480	
10	940128	3	Hexagon screw	14480	
11	422318	12	Tappet		
12	423021	12	Push rod		