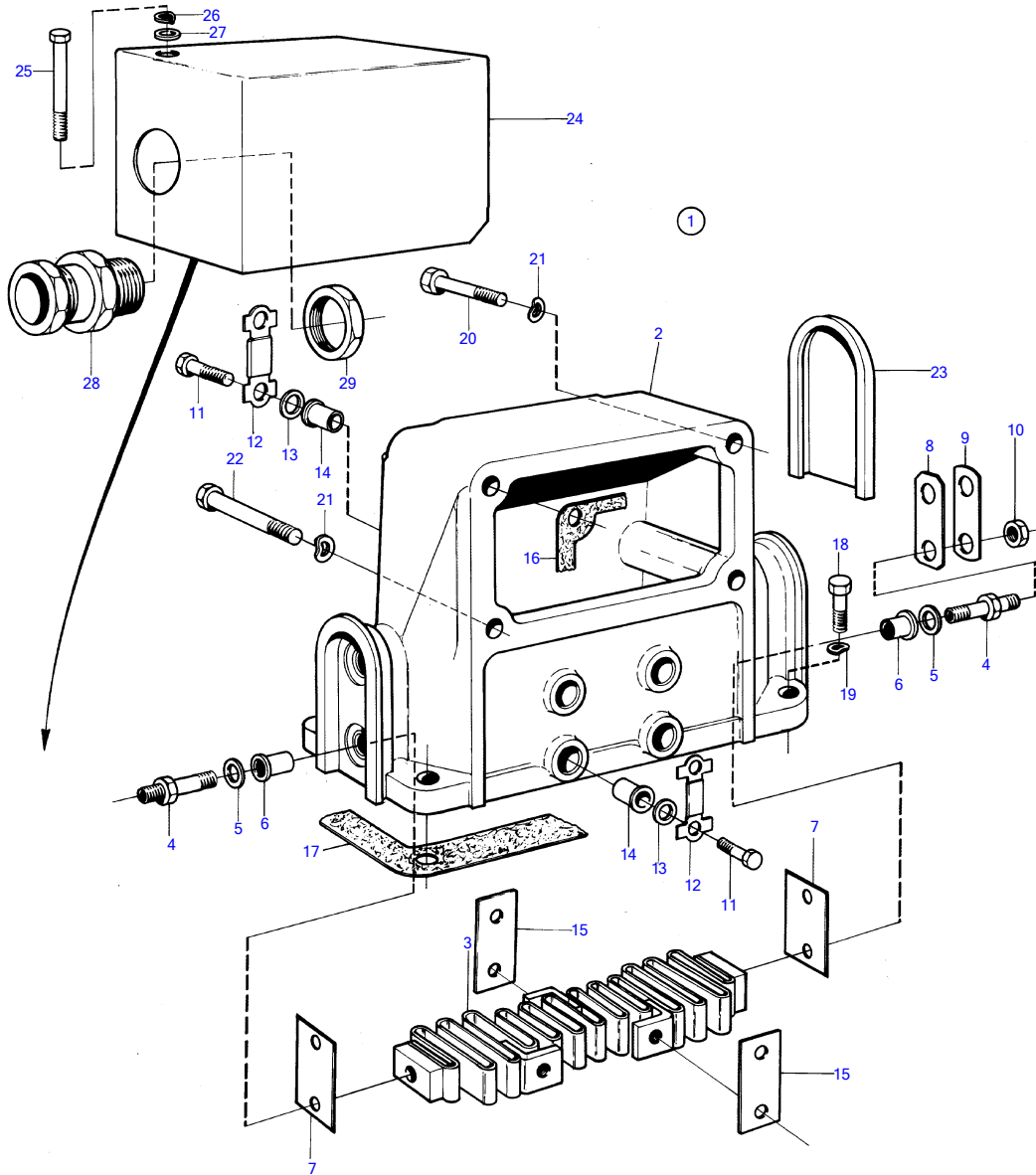


TAMD120B



5467

TAMD120B

REF	PART NO.	QTY	DESCRIPTION	NOTES
1		1	starting heater	
2	(844649)	1	• Housing	Obsolete part
3	468885	2	• Belt element	SEV Motorola 26692.
	470213	2	• Radiator	D70B spec.867060. TD70B spec.867066. D70B spec.867055 alt.
4	1501520	4	• Screw	
5	(468809)	4	• Washer	SEV Motorola 26692., Obsolete part
	949041	4	• Washer	D70B spec.867060. TD70B spec.867066. D70B spec.867055 alt.
6	468511	4	• Bushing	
7	(468795)	2	• Isolation plate	SEV Motorola 26692., Obsolete part
	470209	2	• Isolation plate	D70B spec.867060. TD70B spec.867066. D70B spec.867055 alt.
8	(1501519)	1	• Current bar	SEV Motorola 26692., Obsolete part
9	(403181)	1	• Tab washer	SEV Motorola 26692., Obsolete part
10	17624	2	• Hexagon nut	SEV Motorola 26692.
11	955248	6	• Hexagon screw	
12	(468512)	3	• Striker plate	Obsolete part
13	191156	6	• Washer	
14	468468	6	• Sleeve	
15	(468794)	3	• Isolation plate	SEV Motorola 26692., Obsolete part
	470210	3	• Isolation plate	D70B spec.867060. TD70B spec.867066. D70B spec.867055 alt.
16	844629	1	Gasket	See group 2B
17	468243	1	Gasket	See group 2B
18	956571	4	Hex. socket screw	
19	941907	4	Spring washer	
20	955528	2	Hexagon screw	
21	941907	4	Spring washer	
22	955531	2	Hexagon screw	
23	(844778)	2	Cover	Obsolete part
24	(844779)	1	Protecting casing	Åkerman spec. 867446., Obsolete part
25	191337	1	Hexagon screw	Åkerman spec. 867446.
26	941907	1	Spring washer	Åkerman spec. 867446.
27	960141	1	Washer	Åkerman spec. 867446.
28	881193	1	Grommet	Åkerman spec. 867446.
29	880755	1	Nut	Åkerman spec. 867446.