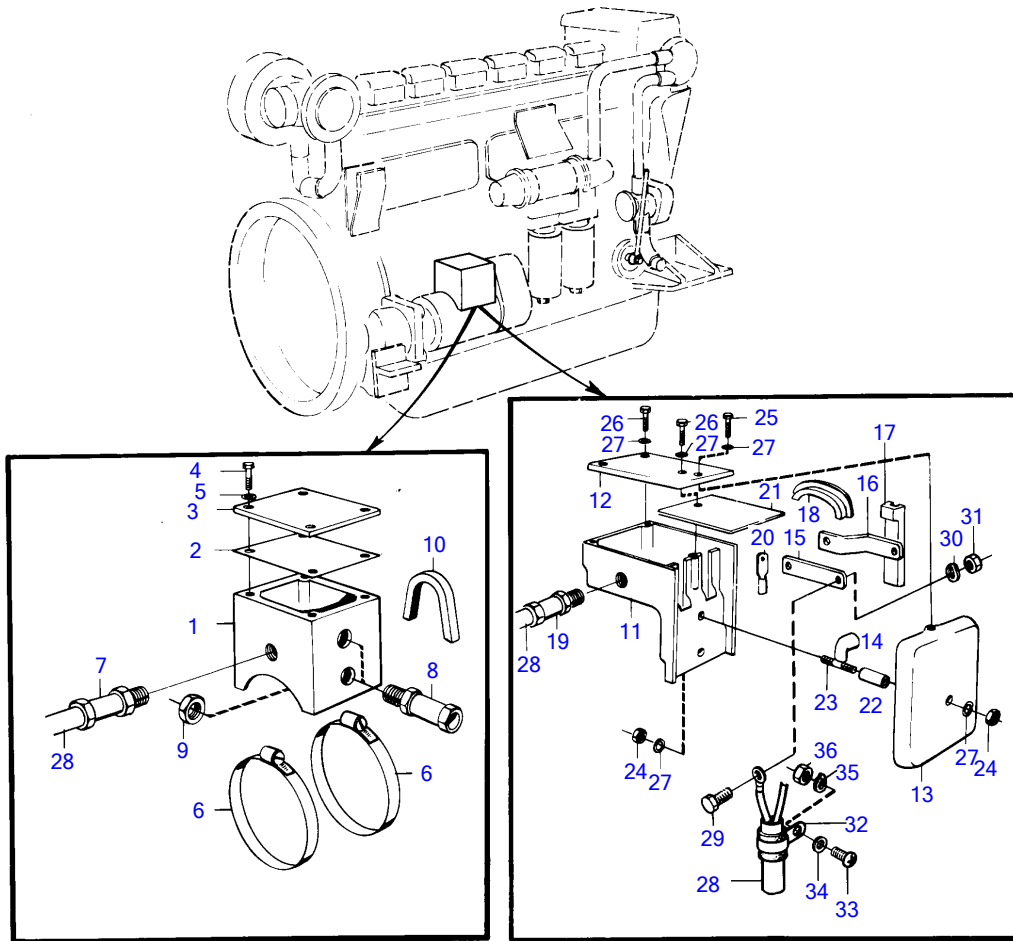


MD120A, TMD120A, TAMD120A, TAMD120B



6706

MD120A, TMD120A, TAMD120A, TAMD120B

REF	PART NO.	QTY	DESCRIPTION	SEE SEC.	NOTES
1	(823515)	1	Protection		MO 12770/XXXXX-, Obsolete part
2	(823517)	1	Gasket		Obsolete part, MO 12770/XXXXX-.
3	(823516)	1	Cover		Obsolete part, MO 12770/XXXXX-.
4	(191038)	4	Hexagon screw		Obsolete part, MO 12770/XXXXX-.
5	941905	4	Spring washer		MO 12770/XXXXX-.
6	943484	2	Hose clamp		MO 12770/XXXXX-, (951801)
7	881192	1	Grommet		MO 12770/XXXXX-.
8	881193	2	Grommet		MO 12770/XXXXX-.
9	880755	2	Nut		MO 12770/XXXXX-.
10	(823700)	X	Rubber moulding		Obsolete part, MO 12770/XXXXX-, L=300mm
11	(837377)	1	Clutch housing		Obsolete part, Replaced by 1ea 841768.
12	837378	1	Cardboard tube		Replaced by 1ea 841768.
13	837379	1	Cardboard tube		Replaced by 1ea 841768.
14	837485	2	Clamping sleeve		Replaced by 1ea 841768.
15	837483	1	Guide rail		Replaced by 1ea 841768.
16	837484	1	Guide rail		Replaced by 1ea 841768.
17	(837486)	4	Housing		Obsolete part, Replaced by 1ea 841768.
18	837488	1	Sealing strip		Replaced by 1ea 841768.
19	881192	1	Grommet		Replaced by 1ea 841768.
20		X	cable terminal	14577	
21	837558	1	Guard plate		Replaced by 1ea 841768.
22	192618	X	Hose		Replaced by 1ea 841768., L=50mm
23	946945	1	Stud		Replaced by 1ea 841768.
24	955825	2	Hexagon nut		Replaced by 1ea 841768.
25	955513	1	Hexagon screw		Replaced by 1ea 841768.
26	940117	3	Hexagon screw		Replaced by 1ea 841768.
27	941906	6	Spring washer		Replaced by 1ea 841768.
28		X	cables		Can't be used on alternator 841765.
29	955315	2	Hexagon screw		LMW spec.867494.
30	941908	2	Spring washer		LMW spec.867494.
31	955783	2	Hexagon nut		LMW spec.867494.
32	952630	1	Clamp		LMW spec.867494.
33	956095	1	Cross recessed screw		LMW spec.867494.
34	955892	1	Washer		LMW spec.867494.
35	941906	1	Spring washer		LMW spec.867494.
36	955781	1	Hexagon nut		LMW spec.867494.