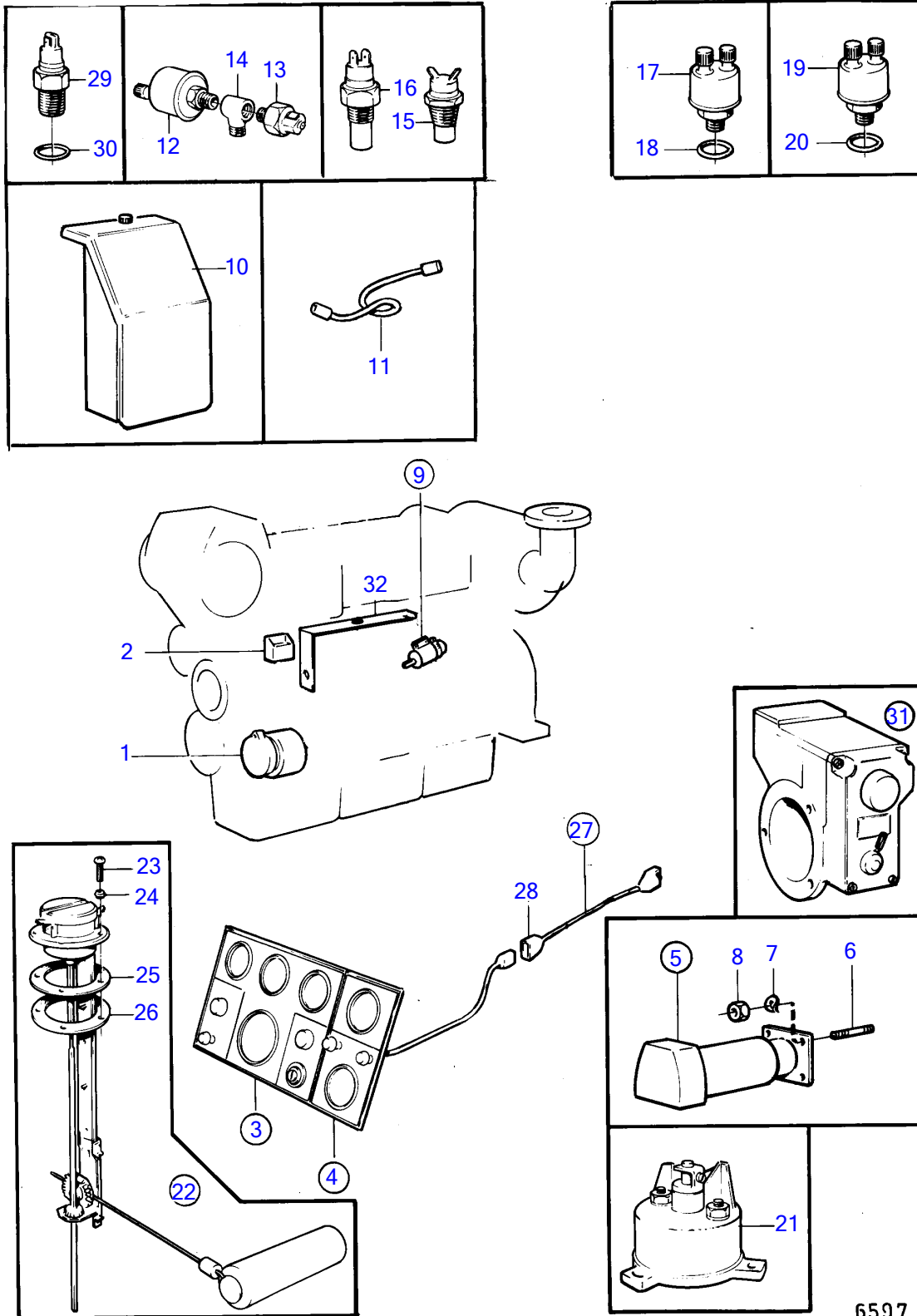


TMD120B



TMD120B

| REF | PART NO. | QTY | DESCRIPTION | SEE SEC. | NOTES |
|-----|----------|-----|--|----------|--|
| 1 | | 1 | alternator and installation components | 14586 | |
| | | | | | 28V 55A |
| | | 1 | alternator and installation components | 14590 | |
| | | | | | 28V 60A |
| 2 | (823766) | 1 | Charge regulator | | Obsolete part, 28V 60A |
| | | | . | 14563 | |
| 3 | 842567 | 1 | Instrument panel | | 24V |
| | | | . | 14572 | |
| | | 1 | | | 24V |
| | | | . | 14576 | |
| 4 | 846803 | 1 | Instrument panel | | Not included in alternator 841765., 24V |
| | | | . | 14575 | |
| | (837996) | 1 | Instrument panel | | Obsolete part, Not included in alternator 841765., 24V |
| | | | . | 14568 | |
| 5 | 870998 | 1 | Starter motor | | 24V repl by 847308 |
| | | | . | 14564 | |
| | 847308 | 1 | Starter motor | | 24V |
| | | | . components not spec. | | |
| 6 | 953486 | 3 | Stud | | |
| 7 | 942336 | 3 | Spring washer | | |
| 8 | 955827 | 3 | Hexagon nut | | |
| 9 | | 1 | stop solenoid and installation components | | See group 2D |
| 10 | | 1 | electrical box and installation components | 14580 | |
| 11 | (846616) | 1 | Cable trunk | | Obsolete part, Spec. 867494, 867648. |
| 12 | 843231 | 1 | Oil pressure sensor | | |
| 13 | 843812 | 1 | Switch | | Alarm (881348) |
| 14 | 942490 | 1 | T-nipple | | |
| 15 | 827150 | 1 | Sensor | | |
| 16 | 822858 | 1 | Thermo monitor | | Alarm |
| 17 | 837781 | 1 | Oil pressure sensor | | See group 4A |
| 18 | 947624 | 1 | Gasket | | |
| 19 | 837782 | 1 | Pressure sensor | | See group 2B |
| 20 | 947624 | 1 | Gasket | | |
| 21 | 837772 | 1 | Position sensor | | |
| 22 | 837999 | 1 | Sensor | | |
| 23 | 956078 | 4 | . Cross recessed screw | | L=16mm |
| | 956081 | 1 | . Cross recessed screw | | L=25mm |
| 24 | 834481 | 5 | . Gasket | | |
| 25 | 89865 | 1 | . Gasket | | |
| 26 | | 1 | . | | |
| 27 | 846648 | 1 | Extension cable\verl | | L=3000mm |
| | 846649 | 1 | Extension cable\verl | | L=5000mm |
| | 846650 | 1 | Extension cable\verl | | L=7000mm |
| 28 | | X | . cables and terminals | 14577 | |
| 29 | 354671 | 1 | Tachometer sensor | | See group 2A |
| 30 | 925059 | 1 | O-ring | | |
| 31 | | 1 | emergency stop | 14599 | |
| 32 | | X | cable iron | | |