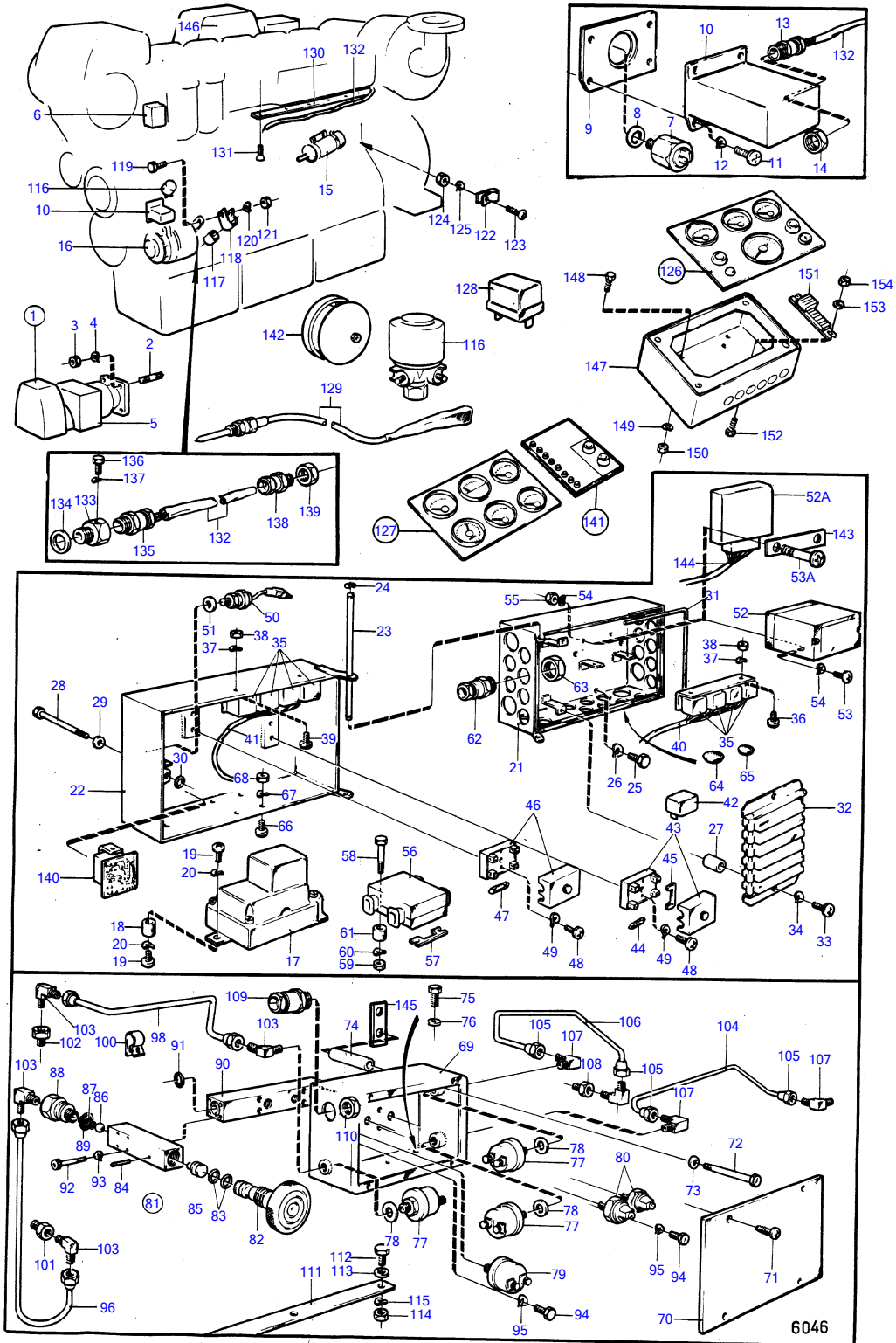


MD120A



MD120A

REF	PART NO.	QTY	DESCRIPTION	SEE SEC.	NOTES
1	870998	1	Starter motor		24V repl by 847308
			•	14564	
	847308	1	Starter motor		24V
			• components not spec.		
2	953486	3	Stud		
3	955827	3	Hexagon nut		
4	942336	3	Spring washer		
5			starter cover with installation components	14596	
6			• thermoswitch and protecting box with installation components	14594	
7	354671	1	Tachometer sensor		(837783)
8	925059	1	O-ring		
9	843103	1	Attaching plate		
10	843102	1	Box		
11	956060	4	Cross recessed screw		
12	941904	4	Spring washer		
13	822327	1	Grommet		
14	880243	1	Nut		
15		1	stop solenoid with installation components		See group 2D
16		1	alternator with installation components		24V 25A
				14589	
		1	alternator with installation components		24V 60A
				14591	
17	823480	1	Charge regulator		Bröyt spec. 867510., 24V 25A
	(823766)	1	Charge regulator		24V 60A, Obsolete part
			•	14563	
18	899709	3	Vibration damper		24V 25A
19	956091	6	Cross recessed screw		24V 25A
20	941906	6	Spring washer		24V 25A
21	(843124)	1	Clutch housing		Obsolete part
22	(843126)	1	Cardboard tube		Obsolete part
23	(837838)	1	Shaft		Obsolete part
24	951667	2	E-circlip		
25	940135	3	Hexagon screw		
26	941907	3	Spring washer		
27	823575	3	Spacer sleeve		
28	955261	1	Hexagon screw		
29	960138	1	Washer		
30	955978	1	O-ring		
31	(842224)	X	Sealing strip		L=1000mm, Obsolete part
32	843095	1	Terminal block		
33	956074	2	Cross recessed screw		
34	941905	2	Spring washer		
35	1504951	8	Relay		MO-XXXX/31088
36	956076	2	Cross recessed screw		
37	941905	4	Spring washer		
38	955780	4	Hexagon nut		
39	956074	2	Cross recessed screw		
40	(843072)	1	Cable trunk		MO-XXXX/31088, Obsolete part
41	(843073)	1	Cable trunk		MO-XXXX/31088, Obsolete part
42	837722	1	Resistor		
43	(88578)	3	Fuse box		Obsolete part
44	943905	2	Fuse, blue		25A
	942785	2	Fuse		16A
	942545	2	Fuse		5A MO-XXXX/31088
45	(842390)	2	Bridge connector		Obsolete part
46	(88578)	1	Fuse box		Obsolete part
47	(842401)	2	Diode		Obsolete part
48	956060	X	Cross recessed screw		
49	941904	X	Spring washer		

7742190-30-14585

6046

Upd:2011-08-15

MD120A

REF	PART NO.	QTY	DESCRIPTION	SEE SEC.	NOTES
50	(843249)	2	Diode		40A, Obsolete part
51	25534	4	Gasket		D=10mm
	(962658)	4	Washer		D=18mm, Obsolete part
52	(837718)	1	Race gard		MO-XXXX/31088, Obsolete part
53	956061	2	Cross recessed screw		MO-XXXX/31088
54	941904	2	Spring washer		
55	955779	2	Hexagon nut		
56	(843101)	1	Fuse box		Obsolete part
57	239148	5	Fuse		80A
58	956083	2	Cross recessed screw		
59	955780	2	Hexagon nut		
60	941905	2	Spring washer		
61	824205	2	Spacer sleeve		
62	881193	X	Grommet		Electrical hour counter.
	822327	X	Grommet		Electrical hour counter.
	881192	X	Grommet		Electrical hour counter.
63	880755	X	Nut		Electrical hour counter., For881193
	880243	X	Nut		Electrical hour counter.
64	662620	X	Rubber button		Electrical hour counter., D=28mm
65	94081	X	Plug		Electrical hour counter., D=22mm
66	956091	3	Cross recessed screw		Only for thermostat control 837500,837501.
	956074	2	Cross recessed screw		Spec. 867446, 867477, 867618, 867649.
67	941906	3	Spring washer		Only for thermostat control 837500,837501.
	941905	2	Spring washer		Spec. 867446, 867477, 867618, 867649.
68	955781	3	Hexagon nut		Only for thermostat control 837500,837501.
	955780	2	Hexagon nut		Spec. 867446, 867477, 867618, 867649.
69	(843063)	1	Box		Obsolete part
70	(843064)	1	Cover		Obsolete part
71	(958244)	4	Cross recessed screw		Obsolete part
72	959795	2	Hexagon screw		
73	955894	3	Washer		
74	833244	2	Spacer sleeve		
75	940094	2	Hexagon screw		
76	955893	2	Washer		
77	837782	3	Pressure sensor		
78	957181	3	Gasket		
79	843232	1	Oil pressure sensor		
80	843813	2	Switch		Alarm
81	837928	1	Valve		
82		1	.		
83	925052	2	• O-ring		
84	951938	1	• Spring pin		
85	(837932)	1	• Intermediate section		Obsolete part
86	(70472)	1	• Ball		Obsolete part
87	(832441)	1	• Spring		Obsolete part
88		1	.		
89	955985	1	• O-ring		
90	(837938)	1	Spacer		Obsolete part
91	955984	1	O-ring		
92	(959181)	4	Hex. socket screw		Obsolete part
93	941904	4	Spring washer		
94	942001	4	Hex. socket screw		
95	941906	4	Spring washer		
96	(843130)	1	Tube, oil pressure		Obsolete part
97			.		
100	940374	1	Clamp		
101	42768	1	Nipple		
103	954342	4	Elbow nipple		
104		X	Tube		L=400mm
105	954322	4	Fitting nut		

MD120A

REF	PART NO.	QTY	DESCRIPTION	SEE SEC.	NOTES
106		X	Tube		L=250mm
107	954343	4	Elbow nipple		
108	836192	1	Nipple		
109	881193	1	Grommet		
110	880755	1	Nut		
116	804123	1	Tachometer sensor		MO-XXXX/31088
117	(241608)	1	Protective sleeve		Obsolete part, MO-XXXX/31088
118	(18986)	1	Clamp		MO-XXXX/31088, Obsolete part
119	950047	1	Cross recessed screw		MO-XXXX/31088
120	941906	2	Spring washer		MO-XXXX/31088
121	955825	1	Hexagon nut		MO-XXXX/31088
122	952627	1	Clamp		
123	956065	1	Cross recessed screw		
124	955779	1	Hexagon nut		
125	941904	1	Spring washer		
126	(843077)	1	Instrument panel		Obsolete part
			.	14572	
	(843079)	1	Instrument panel		Maskinrum-machine room, Obsolete part
			.	14572	
127	843078	1	Instrument panel		
			.	14569	
128	1504951	1	Relay		
129	(842950)	1	Sensor, exhaust temp.		Obsolete part
130			cable holders		
131	950158	2	Cross recessed sunk		L=19mm
	(950160)	1	Cross recessed sunk		L=25mm, Obsolete part
132		X	cables		Can't be used on alternator 841765.
133	843197	1	Retainer		24V 60A
134	925063	1	O-ring		24V 60A
135		1			24V 60A
136	955269	1	Hexagon screw		24V 60A
137	941906	1	Spring washer		24V 60A
138	881193	1	Grommet		24V 60A
139	(843091)	1	Intermediate sleeve		24V 60A, Obsolete part
140	842987	1	Voltage monitor		
141	843307	1	Alarm panel		Alarm
			.	14570	
	846696	1	Alarm panel		Special product for EXCAVATOR type "HYMAC", Alarm
			.	14571	
142	823214	1	Bell		
146					
			el. equipment for starting heater	14557	
147	(845833)	1	Box		Side mounting., Obsolete part
148		4			Side mounting.
149	941904	4	Spring washer		Side mounting.
150	955779	4	Hexagon nut		Side mounting.
151		1			Side mounting.
152	955244	2	Hexagon screw		Side mounting.
153	940090	2	Washer		Side mounting.
154	946577	2	Lock nut		Side mounting.