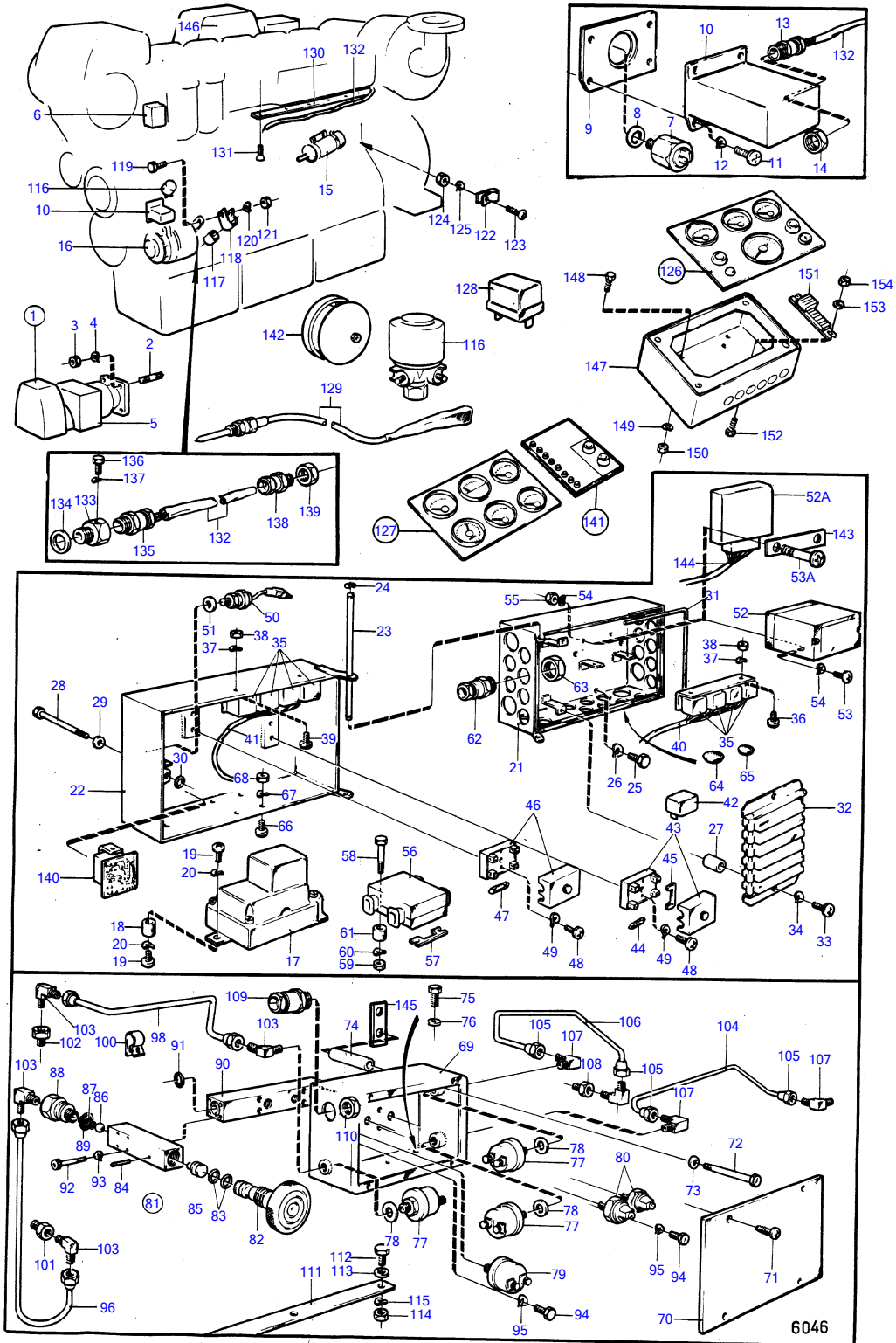


TMD120A



TMD120A

REF	PART NO.	QTY	DESCRIPTION	NOTES
1	870998	1	Starter motor	24V repl by 847308
	847308	1	Starter motor	24V
2	953486	3	Stud	
3	955827	3	Hexagon nut	
4	942336	3	Spring washer	
5				
7	354671	1	Tachometer sensor	(837783)
8	925059	1	O-ring	
9	843103	1	Attaching plate	
10	843102	1	Box	
11	956060	4	Cross recessed screw	
12	941904	4	Spring washer	
13	822327	1	Grommet	
14	880243	1	Nut	
15		1	stop solenoid with installation components	See group 2D
16		1	alternator with installation components	24V 25A
		1	alternator with installation components	24V 60A
17	823480	1	Charge regulator	Bröyt spec. 867510., 24V 25A
	(823766)	1	Charge regulator	24V 60A, Obsolete part
18	899709	3	Vibration damper	24V 25A
19	956091	6	Cross recessed screw	24V 25A
20	941906	6	Spring washer	24V 25A
21	(843124)	1	Clutch housing	Obsolete part
22	(843126)	1	Cardboard tube	Obsolete part
23	(837838)	1	Shaft	Obsolete part
24	951667	2	E-circlip	
25	940135	3	Hexagon screw	
26	941907	3	Spring washer	
27	823575	3	Spacer sleeve	
28	955261	1	Hexagon screw	
29	960138	1	Washer	
30	955978	1	O-ring	
31	(842224)	X	Sealing strip	L=1000mm, Obsolete part
32	843095	1	Terminal block	
33	956074	2	Cross recessed screw	
34	941905	2	Spring washer	
35	1504951	8	Relay	MO-XXXX/31088
36	956076	2	Cross recessed screw	
37	941905	4	Spring washer	
38	955780	4	Hexagon nut	
39	956074	2	Cross recessed screw	
40	(843072)	1	Cable trunk	MO-XXXX/31088, Obsolete part
41	(843073)	1	Cable trunk	MO-XXXX/31088, Obsolete part
42	837722	1	Resistor	
43	(88578)	3	Fuse box	Obsolete part
44	943905	2	Fuse, blue	25A
	942785	2	Fuse	16A
	942545	2	Fuse	5A MO-XXXX/31088
45	(842390)	2	Bridge connector	Obsolete part
46	(88578)	1	Fuse box	Obsolete part
47	(842401)	2	Diode	Obsolete part
48	956060	X	Cross recessed screw	
49	941904	X	Spring washer	
50	(843249)	2	Diode	40A, Obsolete part
51	25534	4	Gasket	D=10mm
	(962658)	4	Washer	D=18mm, Obsolete part
52	(837718)	1	Race gard	MO-XXXX/31088, Obsolete part
53	956061	2	Cross recessed screw	MO-XXXX/31088
54	941904	2	Spring washer	
55	955779	2	Hexagon nut	
56	(843101)	1	Fuse box	Obsolete part
57	239148	5	Fuse	80A

7742190-30-14585B

6046

Upd:2011-08-15

TMD120A

REF	PART NO.	QTY	DESCRIPTION	NOTES
58	956083	2	Cross recessed screw	
59	955780	2	Hexagon nut	
60	941905	2	Spring washer	
61	824205	2	Spacer sleeve	
62	881193	X	Grommet	Electrical hour counter.
	822327	X	Grommet	Electrical hour counter.
	881192	X	Grommet	Electrical hour counter.
63	880755	X	Nut	Electrical hour counter., For881193
	880243	X	Nut	Electrical hour counter.
64	662620	X	Rubber button	Electrical hour counter., D=28mm
65	94081	X	Plug	Electrical hour counter., D=22mm
66	956091	3	Cross recessed screw	Only for thermoswitch control 837500,837501.
	956074	2	Cross recessed screw	Spec. 867446, 867477, 867618, 867649.
67	941906	3	Spring washer	Only for thermoswitch control 837500,837501.
	941905	2	Spring washer	Spec. 867446, 867477, 867618, 867649.
68	955781	3	Hexagon nut	Only for thermoswitch control 837500,837501.
	955780	2	Hexagon nut	Spec. 867446, 867477, 867618, 867649.
69	(843063)	1	Box	Obsolete part
70	(843064)	1	Cover	Obsolete part
71	(958244)	4	Cross recessed screw	Obsolete part
72	959795	2	Hexagon screw	
73	955894	3	Washer	
74	833244	2	Spacer sleeve	
75	940094	2	Hexagon screw	
76	955893	2	Washer	
77	837782	3	Pressure sensor	
78	957181	3	Gasket	
79	843232	1	Oil pressure sensor	
80	843813	2	Switch	Alarm
81	837928	1	Valve	
82		1	.	
83	925052	2	• O-ring	
84	951938	1	• Spring pin	
85	(837932)	1	• Intermediate section	Obsolete part
86	(70472)	1	• Ball	Obsolete part
87	(832441)	1	• Spring	Obsolete part
88		1	.	
89	955985	1	• O-ring	
90	(837938)	1	Spacer	Obsolete part
91	955984	1	O-ring	
92	(959181)	4	Hex. socket screw	Obsolete part
93	941904	4	Spring washer	
94	942001	4	Hex. socket screw	
95	941906	4	Spring washer	
96	(843130)	1	Tube, oil pressure	Obsolete part
97			.	
98	(843131)	1	Tube, air pressure	Obsolete part
99			.	
100	940374	1	Clamp	
101	42768	1	Nipple	
102	180068	1	Nipple	
103	954342	4	Elbow nipple	
104		X	Tube	L=400mm
105	954322	4	Fitting nut	
106		X	Tube	L=250mm
107	954343	4	Elbow nipple	
108	836192	1	Nipple	
109	881193	1	Grommet	
110	880755	1	Nut	
116	804123	1	Tachometer sensor	MO-XXXX/31088
117	(241608)	1	Protective sleeve	Obsolete part, MO-XXXX/31088
118	(18986)	1	Clamp	MO-XXXX/31088, Obsolete part
119	950047	1	Cross recessed screw	MO-XXXX/31088

7742190-30-14585B

6046

Upd:2011-08-15

TMD120A

REF	PART NO.	QTY	DESCRIPTION	NOTES
120	941906	2	Spring washer	MO-XXXX/31088
121	955825	1	Hexagon nut	MO-XXXX/31088
122	952627	1	Clamp	
123	956065	1	Cross recessed screw	
124	955779	1	Hexagon nut	
125	941904	1	Spring washer	
126	(843077)	1	Instrument panel	Obsolete part
	(843079)	1	Instrument panel	Maskinrum-machine room, Obsolete part
127	843078	1	Instrument panel	
128	1504951	1	Relay	
129	(842950)	1	Sensor, exhaust temp.	Obsolete part
131	950158	2	Cross recessed sunk	L=19mm
	(950160)	1	Cross recessed sunk	L=25mm, Obsolete part
132		X	cables	Can't be used on alternator 841765.
133	843197	1	Retainer	24V 60A
134	925063	1	O-ring	24V 60A
135		1		24V 60A
136	955269	1	Hexagon screw	24V 60A
137	941906	1	Spring washer	24V 60A
138	881193	1	Grommet	24V 60A
139	(843091)	1	Intermediate sleeve	24V 60A, Obsolete part
140	842987	1	Voltage monitor	
141	843307	1	Alarm panel	Alarm
	846696	1	Alarm panel	Special productiON for EXCAVATOR type" HYMAC"., Alarm
142	823214	1	Bell	
146				
147	(845833)	1	Box	Side mounting., Obsolete part
148		4		Side mounting.
149	941904	4	Spring washer	Side mounting.
150	955779	4	Hexagon nut	Side mounting.
151		1		Side mounting.
152	955244	2	Hexagon screw	Side mounting.
153	940090	2	Washer	Side mounting.
154	946577	2	Lock nut	Side mounting.