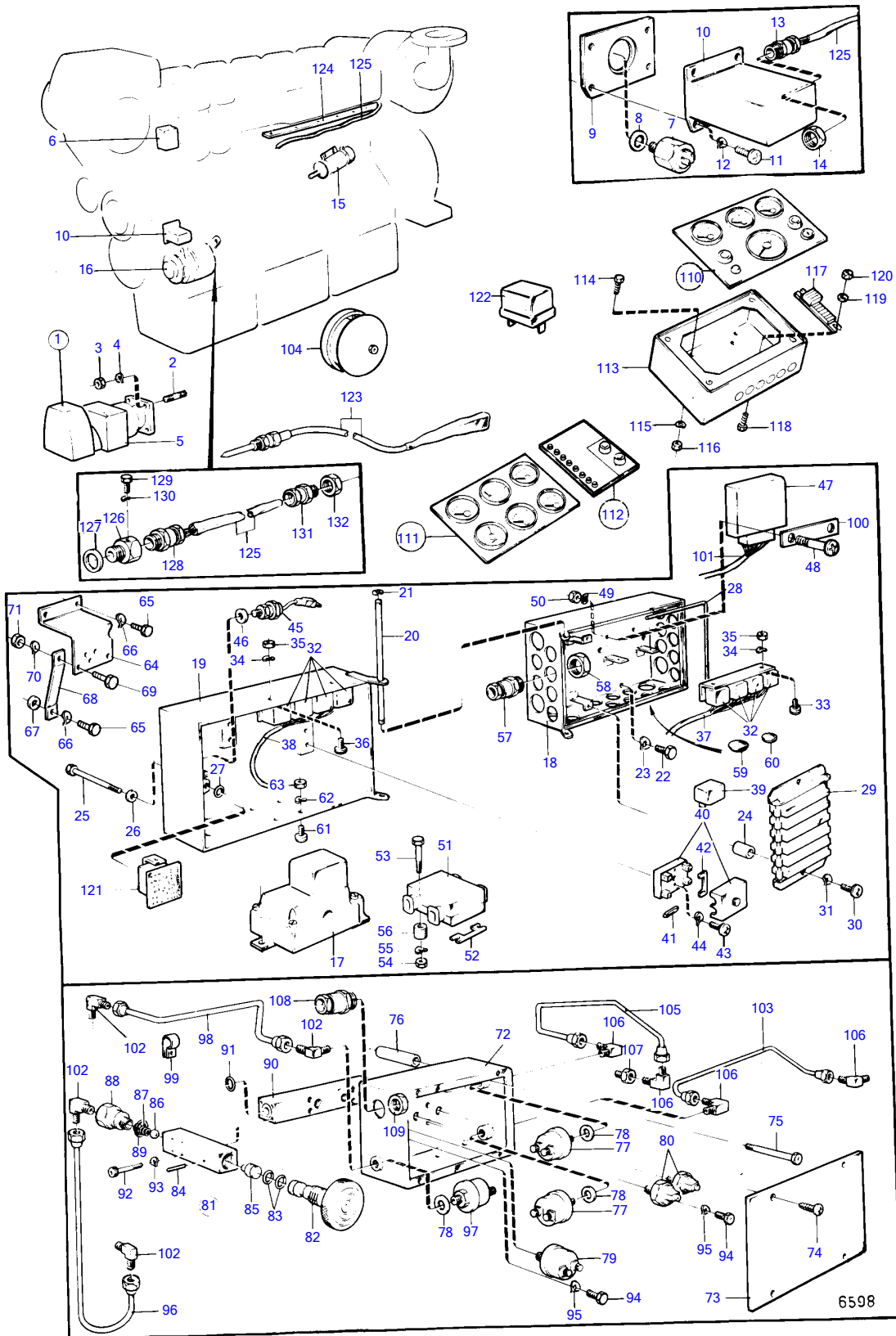


TMD120B



TMD120B

REF	PART NO.	QTY	DESCRIPTION	SEE SEC.	NOTES
1	870998	1	Starter motor		24V repl by 847308
			.	14564	
	847308	1	Starter motor		24V
			. components not spec.		
2	953486	3	Stud		
3	955827	3	Hexagon nut		
4	942336	3	Spring washer		
5		1	starter cover and installation components	14597	
6		1	thermoguard and protecting box with installation components	14595	
7	354671	1	Tachometer sensor		
8	925059	1	O-ring		
9	843103	1	Attaching plate		
10	843102	1	Box		
11	956060	4	Cross recessed screw		
12	941904	4	Spring washer		
13	822327	1	Grommet		
14	880243	1	Nut		
15		1	stop solenoid and installation components		See group 2D
16		1	alternator and installation components	14587	
					28V 25A
		1	alternator and installation components	14590	
					28V 60A
17	(4803292)	1	Charge regulator		Obsolete part, 24V 25A
	(823766)	1	Charge regulator		Obsolete part, 24V 60A
			.	14563	
18	(843124)	1	Clutch housing		Obsolete part
19	(843126)	1	Cardboard tube		Obsolete part
20	(837838)	1	Shaft		Obsolete part
21	951667	2	E-circlip		
22	955296	3	Hexagon screw		
23	941907	3	Spring washer		
24	807183	3	Spacer sleeve		
25	955261	1	Hexagon screw		
26	960138	1	Washer		
27	955978	1	O-ring		
28	(842224)	X	Sealing strip		Obsolete part, L=1000mm
29	843095	1	Terminal block		
30	956074	2	Cross recessed screw		
31	941905	2	Spring washer		
32			.		
33		6			
	956076	2	Cross recessed screw		
34	941905	4	Spring washer		
35	955780	4	Hexagon nut		
36	956074	2	Cross recessed screw		
37	(844440)	1	Cable trunk		Obsolete part
38	(844441)	1	Cable trunk		Obsolete part
39	837722	1	Resistor		
40	(88578)	3	Fuse box		Obsolete part
41	943905	X	Fuse		25 A
	942785	X	Fuse		16 a
42	(842390)	2	Bridge connector		Obsolete part
43	956060	6	Cross recessed screw		
44	941904	6	Spring washer		
45	(843249)	2	Diode		Obsolete part, 40 a
46	25534	4	Gasket		D=10mm
	(962658)	4	Washer		Obsolete part, D=18mm
47	843910	1	Race gard		
48	956069	2	Cross recessed screw		

7742190-30-14583

6598

Upd:2011-08-15

TMD120B

REF	PART NO.	QTY	DESCRIPTION	SEE SEC.	NOTES
49	941904	2	Spring washer		
50	955779	2	Hexagon nut		
51	(843101)	1	Fuse box		Obsolete part
52	239148	5	Fuse		80A
53	956083	2	Cross recessed screw		
54	955780	2	Hexagon nut		
55	941905	2	Spring washer		
56	824205	2	Spacer sleeve		
57	881193	1	Grommet		Electrical hour counter.
	822327	2	Grommet		Electrical hour counter.
	881192	3	Grommet		Electrical hour counter.
58	880755	1	Nut		Electrical hour counter., For 881193
	880243	5	Nut		Electrical hour counter.
59	662620	5	Rubber button		Electrical hour counter., D=28mm
60	94081	7	Plug		Electrical hour counter., D=22mm
61	956074	2	Cross recessed screw		L=8mm
	956076	1	Cross recessed screw		L=12mm
62	941905	2	Spring washer		
63	955780	2	Hexagon nut		
64	846819	1	Bracket		
65	940114	3	Hexagon screw		
66	942336	3	Spring washer		
67	940097	1	Washer		
68	846911	1	Bracket		
69	955524	1	Hexagon screw		
70	941907	1	Spring washer		
71	955826	1	Hexagon nut		
72	(843063)	1	Box		Obsolete part
73	(843064)	1	Cover		Obsolete part
74	(958244)	4	Cross recessed screw		Obsolete part
75	959795	1	Hexagon screw		
76	823498	1	Spacer sleeve		
77	846311	2	Pressure sensor		
78	947624	3	Gasket		
79	843232	1	Oil pressure sensor		
80	843813	2	Switch		Alarm (836663)
81	837928	1	Valve		
82		1	•		
83	925052	2	• O-ring		
84	951938	1	• Spring pin		
85	(837932)	1	• Intermediate section		Obsolete part
86	(70472)	1	• Ball		Obsolete part
87	(832441)	1	• Spring		Obsolete part
88		1	•		
89	955985	1	• O-ring		
90	(837938)	1	Spacer		Obsolete part
91	955984	1	O-ring		
92	(959181)	4	Hex. socket screw		Obsolete part
93	941904	4	Spring washer		
94	942001	4	Hex. socket screw		
95	941906	4	Spring washer		
96	(846274)	1	Tube		Obsolete part
97	837782	1	Pressure sensor		
98	(846275)	1	Tube		Obsolete part
99	940374	1	Clamp		
100	(844480)	1	Retainer		Obsolete part
101		1			
102	954335	4	Nipple		
103	(846277)	1	Tube		Obsolete part
104	823214	1	Bell		
105	846276	1	Tube		
106	954343	4	Elbow nipple		
107	836192	1	Nipple		

7742190-30-14583

6598

Upd:2011-08-15

TMD120B

REF	PART NO.	QTY	DESCRIPTION	SEE SEC.	NOTES
108	881193	1	Grommet		
109	880755	1	Nut		
110	(843077)	1	Instrument panel		Obsolete part
			.	14572	
	(843079)	1	Instrument panel		Obsolete part, Maskinrum-machine room
			.	14572	
111	843078	1	Instrument panel		
			.	14569	
112	846696	1	Alarm panel		
			.	14571	
113	(845833)	1	Box		Obsolete part, Side mounting.
114		4			
115	941904	4	Spring washer		Side mounting.
116	955779	4	Hexagon nut		Side mounting.
117		1			Side mounting.
118	955244	2	Hexagon screw		Side mounting.
119	940090	2	Washer		Side mounting.
120	946577	2	Lock nut		Side mounting.
121	842987	1	Voltage monitor		
122	1504951	2	Relay		
123	(842950)	1	Sensor		Obsolete part
124		X	cable iron		
125	846346	1	Cable		Can't be used on alternator 841765.
126	843197	1	Retainer		24V 60A
127	925063	1	O-ring		24V 60A
128		1			24V 60A
129	955269	1	Hexagon screw		24V 60A
130	941906	1	Spring washer		24V 60A
131	881193	1	Grommet		24V 60A
132	(843091)	1	Intermediate sleeve		Obsolete part, 24V 60A